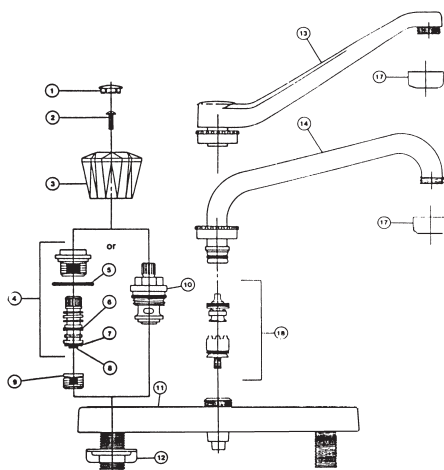


FAUCET REPAIR

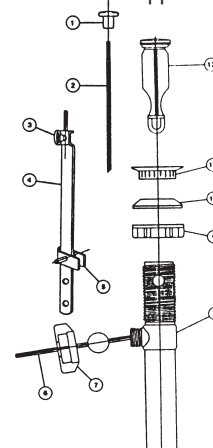
STREAMWAY KITCHEN FAUCET

ITEM	PART #	DESCRIPTION
1	17680252	Hot index
	17680254	Cold index
2	40121093	Handle screw
3	17680240	Cold acrylic handle kit
	17680250	Hot acrylic handle kit
4	43711004	Stem & bonnet assy.
5	40950029	Bonnet o-ring
6	40950022	Stem o-ring
7	40110118	Seat washer
8	50100011	Screw
9	42000760	Seat
10	43681002	Cartridge
11		Body
12	21940315	Locknut
13	17680256	Spout
14	17680258	Spout
15	40110130	Aerator
18	40130603	Upper diverter
	45732026	Lower diverter



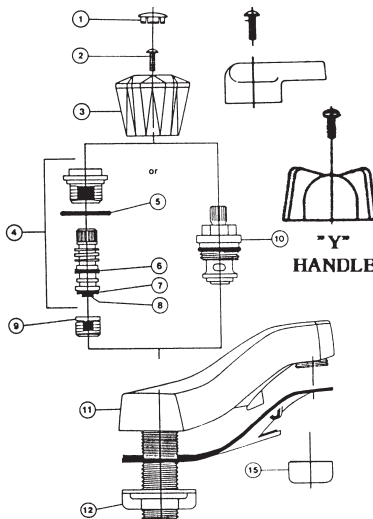
STREAMWAY POP-UP WASTE FOR SINKS W/ OVERFLOW

ITEM	PART #	DESCRIPTION
1	17680270	Lift rod knob
2	17680272	Lift rod
3		Screw, lift rod
4	17680274	Lower lift rod
5	17680276	Ball rod clip
6	17680278	Ball rod assembly
7	17680280	Ball rod nut
8		Body
9		C.O. spud
10	44735020	Mack basin washer
11		Spud
12	17680282	Stopper



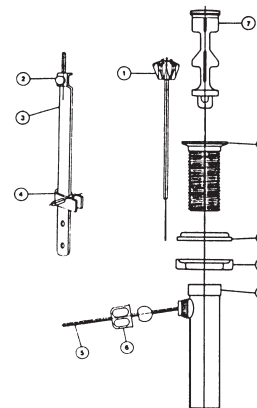
STREAMWAY LAVATORY FAUCET

ITEM	PART #	DESCRIPTION
1	17680252	Hot index
	17680254	Cold index
2	40121093	Handle screw
3	17680240	Cold acrylic handle kit
	17680250	Hot acrylic handle kit
	17680120	Cold chrome blade handle
	17680130	Hot chrome blade handle
	17680180	Cold "Y" chrome handle
	17680190	Hot "Y" chrome handle
4	43711004	Stem & bonnet assembly
5	40950029	Bonnet o-ring
6	40950022	Stem o-ring
7	40110118	Seat washer
8	50100011	Screw
9	42000760	Seat
10	43681002	Cartridge
11		Body
12	21940315	Locknut
13	40110130	Aerator



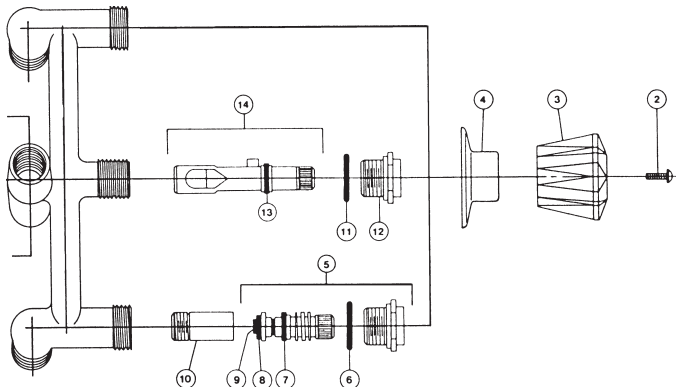
STREAMWAY POP-UP WASTE FOR SINKS W/O OVERFLOW

ITEM	PART #	DESCRIPTION
1	17680260	Lift rod & knob
2	17680262	Screw, lift rod
3	17680264	Lower lift rod
4	17680266	Ball rod clip
5	17680210	Ball rod assembly
6	17680220	Ball rod nut
7	17680230	Stopper
8		C.O. spud
9	44735020	Mack basin washer
10		Locknut
11		Pop-up body



STREAMWAY TUB & SHOWER VALVE

ITEM	PART #	DESCRIPTION	ITEM	PART #	DESCRIPTION
1	17680252	Hot index	7	40950022	Stem o-ring
	17680254	Cold index	8	40110118	Washer
2	40121093	Handle screw	9	50100011	Screw
3	17680240	Cold acrylic handle kit	10	42000740	Seat
	17680250	Hot acrylic handle kit	11	40950109	Bonnet o-ring
4	40150084	Flange	12		Bonnet
5	40170142	Stem & bonnet	13	40950022	Stem o-ring
6	40950109	Bonnet o-ring	14	43685002	Diverter stem



HOUSTON
800/392-5066

ORLANDO
800/327-3022

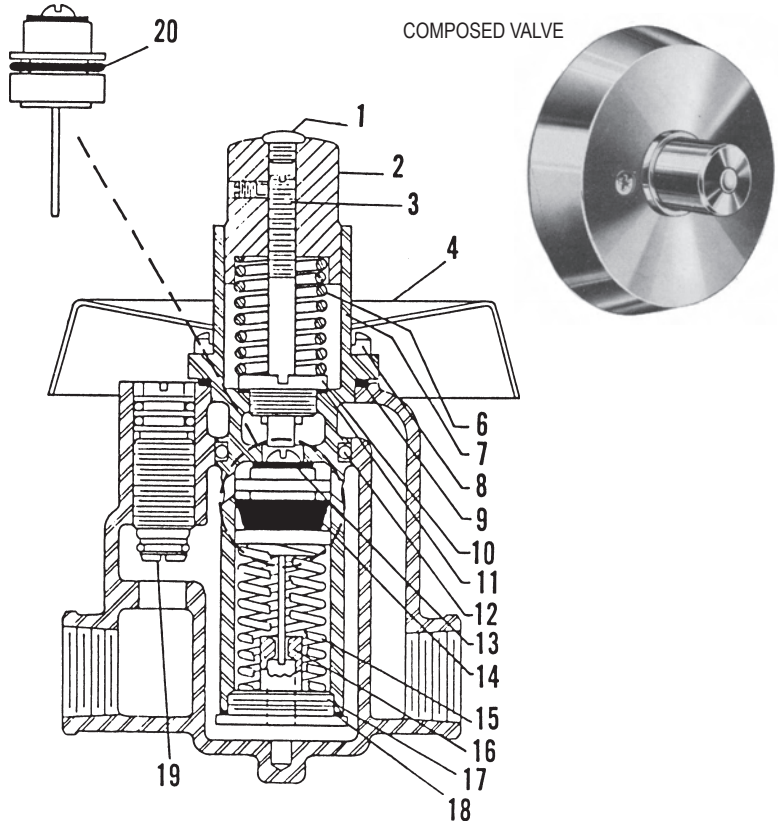
GREENVILLE
800/476-2212

LOOK FOR US ON THE WEB AT: www.TMSSouth.com

FAUCET REPAIR

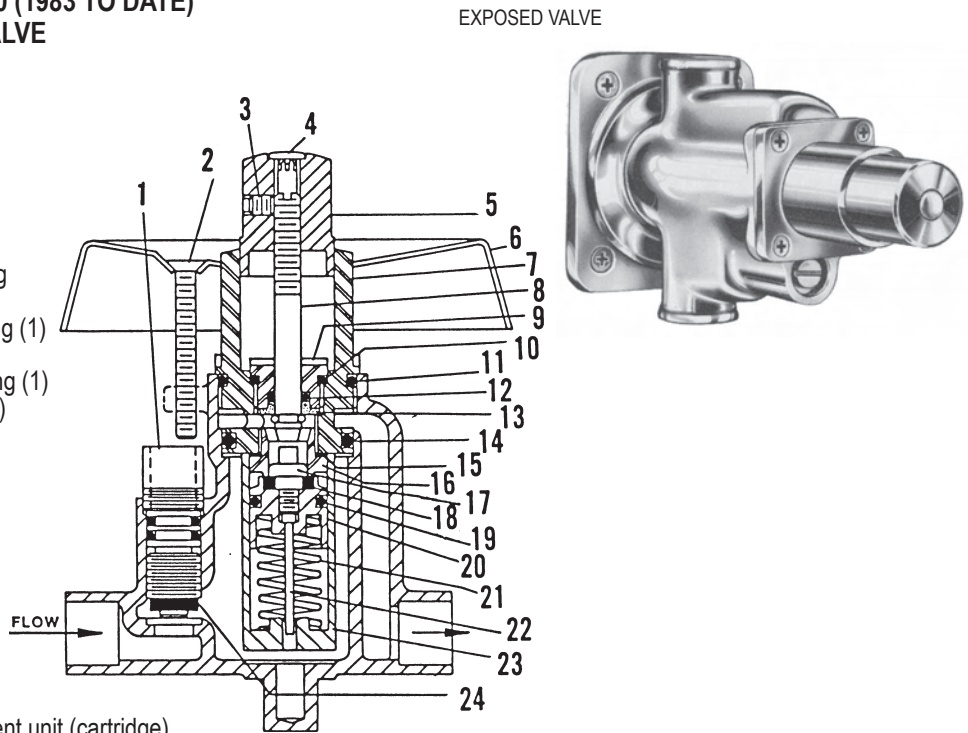
SYMMONS SHOWEROFF "60" (1960 TO 1983) AUTOMATIC SHOWER LIMITING VALVE

ITEM	PART #	DESCRIPTION
1	41001064	Screw
2	41001065	Knob & screw
3	41001085	Push-rod
4	41001238	Escutcheon
5	41001239	Escutcheon screw (not shown)
6	41001069	Knob spring
7	41001240	Cap
8	41001071	Cap screw
9	41001241	Cap gasket
10		Guide nut w/o-ring
11		Guide nut gasket
12		Cap o-ring
13		Shut-off washer & screw
14		Piston unit (1)
15		Spring
16		Control rod sleeve (1)
17		Sleeve retainer (1)
18		Retainer washer
19	41001073	Integral stop unit
20	40950028	Piston o-ring
	NLA	Washer & gasket repair kit Includes items marked (1) plus all necessary washers & gaskets
	40150053	Complete replacement unit (cartridge)



SYMMONS SHOWEROFF MODEL 80 (1983 TO DATE) AUTOMATIC SHOWER LIMITING VALVE

ITEM	PART #	DESCRIPTION
1	41001078	Stop retainer
2	41001079	Escutcheon screws
3	41001080	Knob set screw
4	41001081	Knob plug button
5	41001242	Knob
6	41001083	Escutcheon
7	41001084	Cap
8	41001085	Push rod w/snap ring
9	41001086	Guide nut
10	41001087	Guide nut large o-ring (1)
11	41001088	Cap large o-ring (1)
12	41001089	Guide nut small o-ring (1)
13	41001090	Guide nut washer (1)
14	41001091	Cap small o-ring (1)
15	41001092	Retainer gasket (1)
16	41001093	Retainer (1)
17	41001094	Washer screw (1)
18	41001095	Shut off washer (1)
19	41001096	Piston o-ring (1)
20	41001097	Piston (1)
21	41001098	Piston spring (1)
22	41001099	Control rod (1)
23	41001100	Cylinder (1)
24	41001101	Integral stop unit (1)
	40150027	Complete replacement unit (cartridge)
	40150056	Washer & gasket kit – items marked (1)
	41001103	Adapter plate – not shown



**TOTAL
MAINTENANCE
SOLUTIONS**

HOUSTON
800/392-5066

ORLANDO
800/327-3022

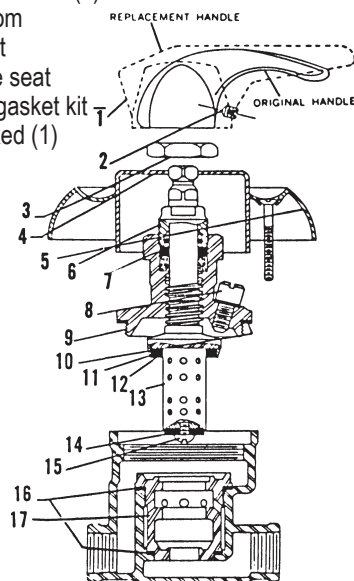
GREENVILLE
800/476-2212

LOOK FOR US ON THE WEB AT: www.TMSSouth.com

FAUCET REPAIR

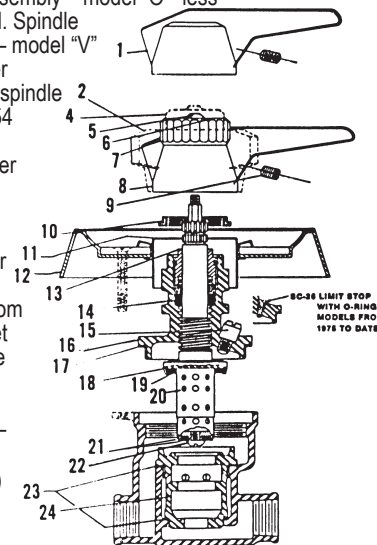
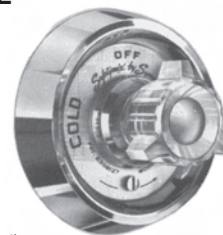
SYMMONS SAFETYMIX MIXING VALVE PRIOR TO 1960 MODEL "C", "M", "MO"

ITEM	PART #	DESCRIPTION
1	40150054	Handle
2	23820121	Handle screw (1)
3	23820124	Dial lock nut
4	23820119	Dome cover & dial
5	23820118	Escutcheon & screw
6	23820112	Packing nut
7	23820330	Packing (1)
8	23820128	Limit stop assembly
9	41001232	Cap
10	23820340	Cap gasket (1)
11	NLA	Cold washer retainer (1)
12	23820326	Cold washer (1)
13	40150182	Flow control spindle
14	23820324	Hot washer (1)
15	23820117	Hot washer screw (1)
16	23820127	Top & bottom seat gasket
17	40150088	Renewable seat
	40150012	Washer & gasket kit items marked (1)



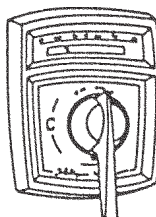
SYMMONS SAFETYMIX MIXING VALVE 1960 TO DATE MODEL "V", "O"

ITEM	PART #	DESCRIPTION
1	40150054	Lever handle
2	NLA	Lucite handle
3	40150094	Lucite handle (not shown)
4		Volume control knob
5		Locking screw w/washer
6		Volume dial
7		Volume control knob
8		Lever handle (volume control)
9	23820121	Handle screw (1)
10	23820328	Dome locknut w/dome cover
11		Dome cover
12	23820329	Escutcheon & screw - model "O"
	23820331	Escutcheon & screw - model "V"
13	23820193	Packing nut
14	23820330	Packing (1)
15	23820342	Limit stop assembly
16	23820180	Cap
17	23820340	Cap gasket (1)
18	23820114	Cold washer retainer (1)
19	40150182	Spindle assembly - model "O" - less vol. control. Spindle assembly - model "V"
		NLA - order 40150182 spindle & 40150054 handle
20	23820326	Cold washer (1)
21	23820324	Hot washer (1)
22	23820117	Hot washer screw (1)
23	23820344	Top & bottom seat gasket
24	40150088	Renewable seat
	40150012	Washer & gasket kit - items marked (1)

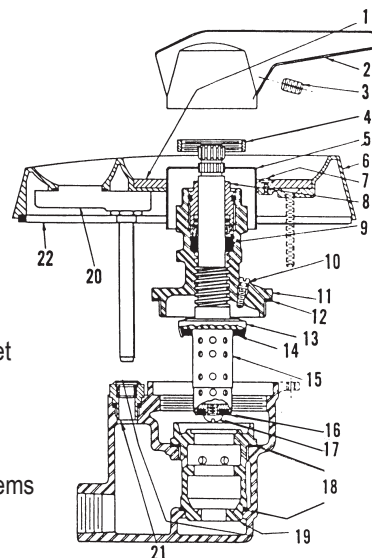


SYMMONS SAFETYMIX VISU-TEMP 1975 TO DATE MODEL "VT"

ITEM	PART #	DESCRIPTION
1	23820560	Dial
2	40150054	Handle
3	23820121	Handle screw (1)
4	23820328	Dome locknut w/ cover
5		Dome cover
6	23820570	Escutcheon & screws
7	23820580	Dial screw
8	23820193	Packing nut
9	23820330	Packing (1)
10	23820345	Limit stop w/ o-ring
11	23820180	Cap
12	23820340	Cap gasket (1)
13	NLA	Cold washer retainer (1)
14	23820326	Cold washer (1)
15	40150182	Flow control spindle assy.
16	23820324	Hot washer (1)
17	23820117	Washer screw (1)



ITEM	PART #	DESCRIPTION
18	23820344	Top & bottom seat gasket
19	40150088	Renewable seat
20	NLA	Thermometer assembly
21	23820590	Retainer assembly (1)
22	23820595	Escutcheon gasket (1)
	23820600	Washer & gasket kit - items marked (1)



**TOTAL
MAINTENANCE
SOLUTIONS**

HOUSTON
800/392-5066

ORLANDO
800/327-3022

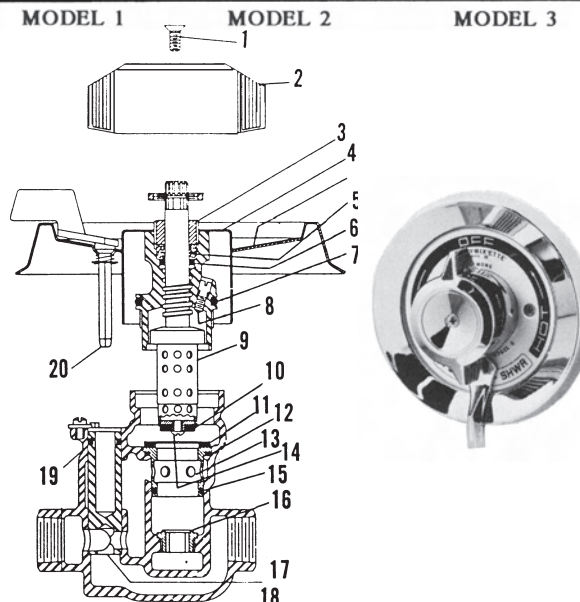
GREENVILLE
800/476-2212

LOOK FOR US ON THE WEB AT: www.TMSSouth.com

FAUCET REPAIR

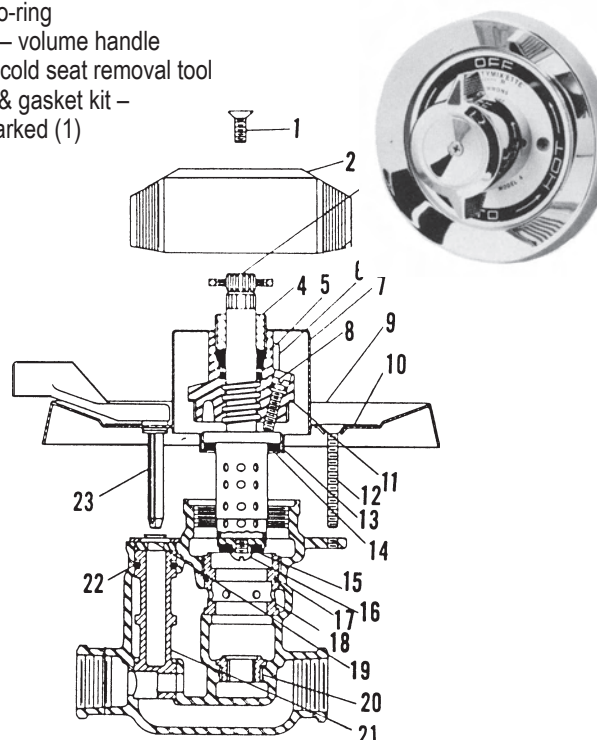
SYMMONS SAFETYMIX'ETTE' MIXING VALVES 1964 TO 1969 MODEL 1, 2, & 3

ITEM	PART #	DESCRIPTION
1	23820605	Handle screw (1)
2	23820610	Handle
3	23820615	Packing nut
4	23820620	Dome cover & locknut
5	23820625	Packing, o-ring & washer (1)
6	23820630	Cap assembly
7	NLA	Cap o-rings (1)
8	23820635	Limit stop w/o-ring
9	23820120	Flow control spindle
10	23820645	Hot washer (1)
11	23820650	Cold washer (1)
12	23820655	Large o-ring
13	23820660	Top renewable seat – includes 16
14	23820665	Hot washer screw (1)
15	23820670	Small o-ring
16	23820660	Hot renewable seat – includes 13
17	23820470	Hot seat removal tool – not shown
18	*	Volume control spindle model 2 (black) Use kit 23820310
19	*	Diverter spindle model 3 (grey or beige) Use kit 23820310
20	*	Spindle o-ring model 2 or 3 . Use kit 23820310
	*	Diverter volume handle w/spring & retainer washer Model 2 or 3. Use kit 23820310
	23820410	Washer & gasket kit – items marked (1)
	23820310	Handle & diverter spindle kit – items marked *



SYMMONS SAFETYMIX'ETTE' SERIES II MIXING VALVES 1969 TO 1980 MODELS 4, 5 & 6

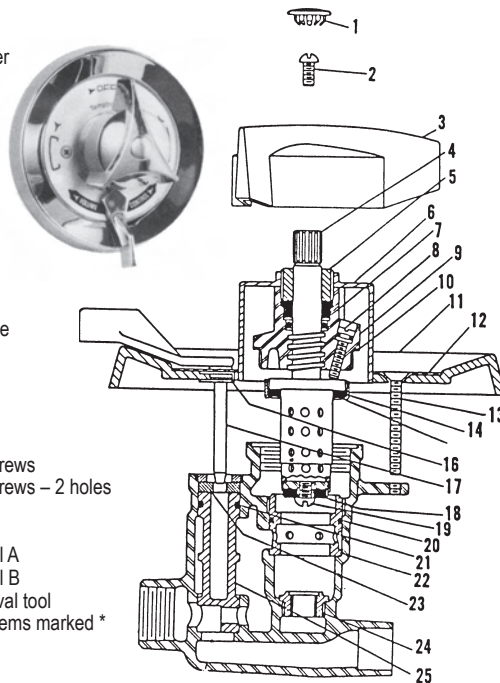
ITEM	PART #	DESCRIPTION	ITEM	PART #	DESCRIPTION
1	23820800	Handle screw (1)	22	23820775	Spindle o-ring
2	23820798	Handle	23	23820796	Diverter – volume handle
3	40150005	Flow control spindle	20401103		Hot and cold seat removal tool
4	23820750	Packing nut	23820810		Washer & gasket kit – items marked (1)
5	23820745	Packing , o-ring & washer (1)			
6	23820740	Cap assembly			
7	23820755	Dome cover & locknut			
8	23820802	Limit stop w/o-ring			
9	23820780	Escutcheon			
10	23820790	Dial – model 4			
	23820792	Dial – model 5			
	23820794	Dial – model 6			
11	23820735	Cap gasket (1)			
12	23820785	Escutcheon screws			
13	NLA	Cold washer retainer (1)			
14	NLA	Cold washer (1)			
15	NLA	Hot washer (1)			
16	NLA	Hot washer screw (1)			
17	NLA	Cold seat o-ring			
18	23820700	Cold seat – includes item 20			
19	23820760	Hold down washer			
20	23820700	Hot seat – includes item 18			
21	23820765	Volume spindle – model 5 (black)			
	23820770	Diverter spindle – model 6 (grey or beige)			



FAUCET REPAIR

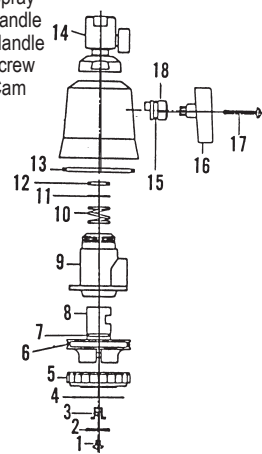
SYMMONS TEMPTRON MIXING VALVES 1968 TO DATE MODEL A, B, & C

ITEM	PART #	DESCRIPTION
1	23820210	Plug button
2	23820905	Handle screw
3	40150104	Temperature control handle
	40150163	Lever handle – not shown
	23820202	Acrylic handle – smoke (not shown)
	23820204	Acrylic handle – clear (not shown)
4	40150005	Flow control spindle
5	23820825	Packing nut
6	40150105	Dome cover & locknut
7	23820820	Packing, o-ring & washer
8	23820910	Limit stop w/o-ring
9	40150068	Cap assembly
10	23820815	Cap gasket *
11	40150135	Escutcheon
12	40151034	Dial – model A
	23820890	Dial – model B
	23820895	Dial – model C
13	23820880	Escutcheon screws
14		Cold washer retainer *
15		Cold washer *
16	23820875	Escutcheon clip
17	23820796	Diverter – volume handle
18		Hot washer *
19	23820915	Hot washer screw *
20	23820935	Cold seat o-ring
21	23820850	Spindle o-ring
22	40150057	Hot & cold seat
23	23820835	Hold down washer w/screws
24	23820840	Hold down washer w/screws – 2 holes
25	23820845	Diverter retainer
	40150057	Hot & cold seat
	23820855	Diverter spindle – model A
	23820860	Diverter spindle – model B
	20401103	Hot and cold seat removal tool
	40150011	Washer & gasket kit – items marked *



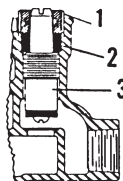
SYMMONS 4-131M SHOWERHEAD

ITEM	PART #	DESCRIPTION
1	23823010	Small spray insert screw
2	23822990	Small spray insert
3	23823000	Small spray insert spacer
4	23822975	Decorative ring
5	23822970	Large spray insert
6	23822960	Large o-ring for cam follower
7	23822950	Small o-ring for cam follower
8	23822940	Cam follower
9	23822920	Inner housing
10	23823040	Ball joint spring
11	23823100	Ball joint spring washer
12	23823050	Ball joint washer
13	23822980	Rubber for large spray insert
14	NLA	Male ball joint assy.
	NLA	Female ball joint assy.
15	23823110	Cam o-ring
16	23823020	Spray handle
17	23823030	Handle screw
18	23822930	Cam



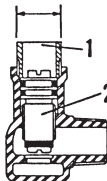
SYMMONS SAFETYMIX, SAFETYMIX'ETTE' & TEMPTRON STOP PARTS SAFETYMIX – PRIOR TO 1956

ITEM	PART #	DESCRIPTION
1	41001178	Packing nut
2	41001179	Packing
3	41001180	Spindle assembly



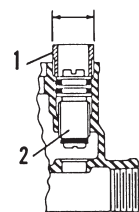
STOP PARTS SAFETYMIX'ETTE' & TEMPTRON 1965 TO 1986

ITEM	PART #	DESCRIPTION
1	41001181	Plaster shield for 5/8"
	41001182	Plaster shield for 11/16"
2	41001183	Spindle assembly – for 5/8"
	41001184	Spindle assembly – for 11/16"



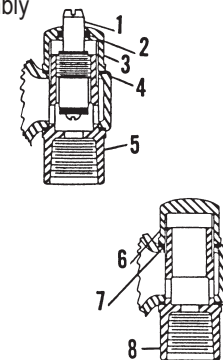
STOP PARTS SAFETYMIX – 1956 TO DATE SAFETY MIX'ETTE' 1964 TO 1965

ITEM	PART #	DESCRIPTION
1	41001185	Plaster shield for 5/8"
	41001186	Plaster shield for 11/16"
2	41001187	Spindle assembly for 5/8"
	41001188	Spindle assembly for 11/16"



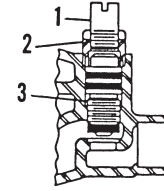
STOP PARTS EXPOSED SAFETYMIX

ITEM	PART #	DESCRIPTION
1	41001189	Spindle assembly
2	41001190	O-Ring
3	41001191	Cap
4	41001192	Gasket
5	41001193	Stop body
6	41001194	Union cap
7	41001192	Gasket
8	41001195	Union body



STOP PARTS TEMPTRON VALVE W/ SWEAT CON.

ITEM	PART #	DESCRIPTION
1	41001196	Escutcheon screw retainer
2	41001197	Plaster shield
3	41001198	Spindle assembly



TOTAL MAINTENANCE SOLUTIONS

HOUSTON
800/392-5066

ORLANDO
800/327-3022

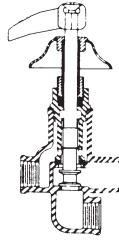
GREENVILLE
800/476-2212

LOOK FOR US ON THE WEB AT: www.TMSSouth.com

FAUCET REPAIR

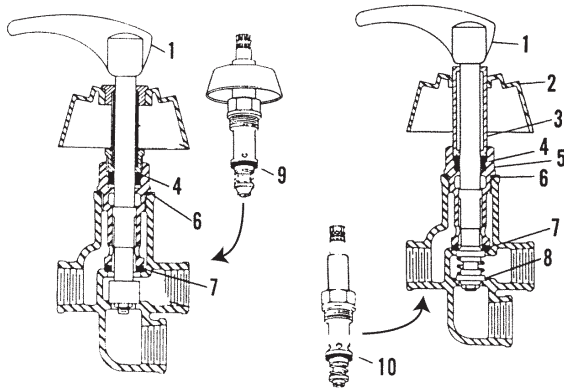
SYMMONS SAFETYMIX DIVERTERS LEVER TYPE 1960 TO 1964

ITEM	PART #	DESCRIPTION
1	NLA	Handle
4	NLA (use #9)	Packing
6	NLA (use #9)	Bonnet gasket
7	23821372	Bonnet washer
9	23821350	Complete replacement unit



SYMMONS SAFETYMIX DIVERTERS "LEVERTROL" 1965 TO 1976

ITEM	PART #	DESCRIPTION
1	40150163	Handle
2		Escutcheon w/ set screw
3		Escutcheon bushing
4	NLA (use #9)	Packing
5	23821355	Bonnet
6	NLA (use #9)	Bonnet gasket
7	NLA (use #10)	Bonnet washer
8	23821360	Spindle assembly
9	23821350	Complete replacement unit w/escutcheon
10	23821385	Complete replacement unit less escutcheon

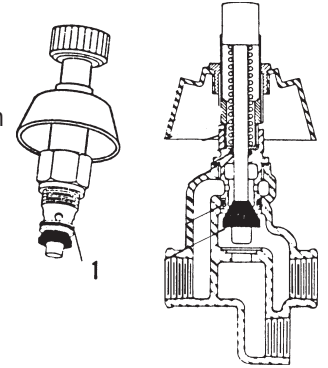


1960 to 1964

1965 to 1976

SYMMONS SAFETYMIX DIVERTERS PUSHBUTTON TYPE 1960 TO 1964

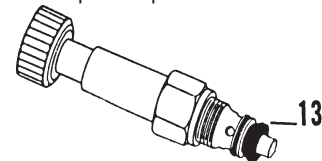
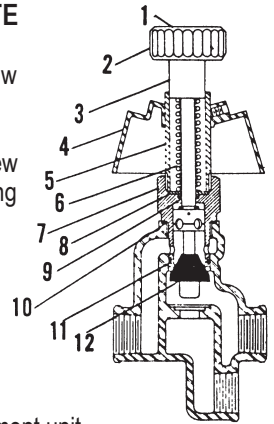
ITEM	PART #	DESCRIPTION
1	23821270	Complete replacement unit w/escutcheon



Note: Individual parts are not available

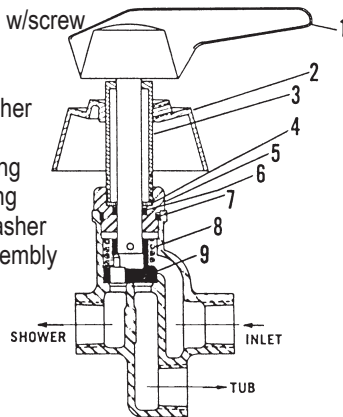
SYMMONS SAFETYMIX "DIVERTROL" DIVERTERS PUSHBUTTON TYPE 1964 TO DATE

ITEM	PART #	DESCRIPTION
1	23821315	Volume dial & screw
2	23821320	Knob
3	23821285	Spacer bushing
4	23821290	Escutcheon & screw
5	23821295	Escutcheon bushing
6	23821310	Spring
7	23821275	Bonnet
8	23820260	O-ring
9	23820250	Spindle o-ring
10	23821305	Bonnet gasket
11	23821300	Bonnet o-ring
12	23821280	Spindle assembly
13	23820270	Complete replacement unit



SYMMONS LEVERTROL DOUBLE OUTLET DIVERTERS 1976 TO DATE

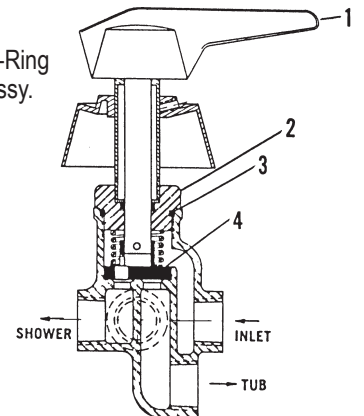
ITEM	PART #	DESCRIPTION
1	40150163	Handle
2	23821440	Escutcheon w/screw
3	23821415	Escutcheon bushing
4	23821430	Bonnet washer
5	23821405	Bonnet
6	23821420	Spindle o-ring
7	23821425	Bonnet o-ring
8	23821435	Spring & washer
9	23821410	Spindle assembly



Also used on Temptrol

SYMMONS LEVERTROL TRIPLE OUTLET DIVERTERS 1976 TO DATE

ITEM	PART #	DESCRIPTION
1	40150163	Handle
2	23821450	Bonnet
3	23821455	Bonnet O-Ring
4	23820370	Spindle assy.
5	40950055	O-ring



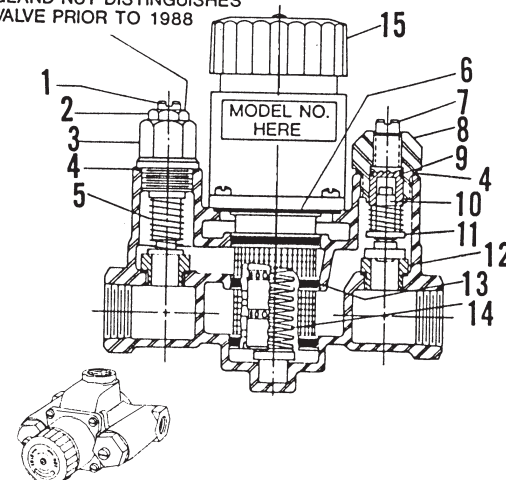
FAUCET REPAIR

SYMMONS TEMPCONTROL THERMOSTATIC WATER CONTROLLER

ITEM	5-200 PART #	5-400 PART #	5-500 PART #	5-700 PART #	DESCRIPTION
1	N/A	N/A	N/A	N/A	Stop spindle *
2	41001104	41001105	41001106	41001107	Gland nut and packing
3	N/A	N/A	N/A	N/A	Cap *
4	41001108	41001109	41001110	41001111	Cap gasket
5	41001112	41001113	41001114	41001115	Check spindle and spring
6	41001116	41001117	41001118	41001119	Casing gasket
7	41001120	41001121	41001122	41001123	Stop spindle
8	41001124	41001125	41001126	41001127	Cap
9	N/A	N/A	N/A	N/A	Stop spindle o-ring
10	41001128	41001129	41001130	41001131	Check spindle and spring
11	41001132	41001133	41001134	41001135	Check spring retainer
12	41001243	41001137	41001138	41001139	Check seat
13	41001244	41001141	41001142	41001143	Sleeve o-rings (3 required)
14	41001144	41001145	41001146	41001147	Spring with spring saddle
15	40150029	40150030	40150031	40150032	Cartridge unit
*	41001152	41001153	41001154	41001155	Complete spindle assembly

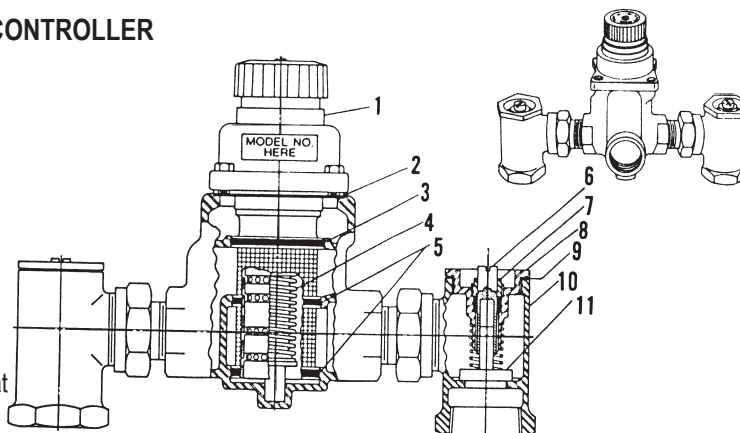
* Repair kit contains items 7, 8, 9, 10 & 11.

GLAND NUT DISTINGUISHES VALVE PRIOR TO 1988



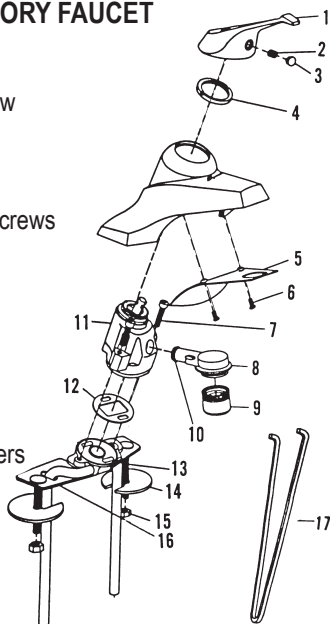
SYMMONS TEMPCONTROL THERMOSTATIC WATER CONTROLLER

ITEM	5-900 PART #	5-1000 PART #	DESCRIPTION
1	41001156	41001157	Cartridge unit
2	41001158	41001159	Casing gasket
3	41001160	41001161	Sleeve large o-ring
4	41001162	41001163	Double spring w/spring saddle
5	41001164	41001165	Sleeve small o-rings
6	41001166	41001167	Stop spindle
7	41001168	41001169	Gland nut & packing
8	41001170	41001171	Cap
9	41001172	41001173	Cap gasket
10	41001174	41001175	Check stop body w/integral seat
11	41001176	41001177	Check spindle & spring



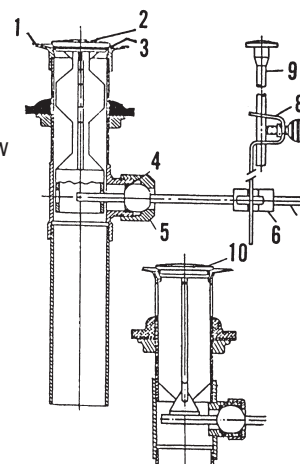
SYMMONS TEMPTRON LAVATORY FAUCET

ITEM	PART #	DESCRIPTION
1	23821460	Handle
2	23821480	Handle set screw
3	23821520	Plug button
4	23821465	Lock ring
5	23821470	Housing plate
6	23821495	Housing plate screws
7	23821525	Body screws
8		Spout
9	40110016	Aerator
10	23821485	Spout o-ring
11	NLA	Body unit
12	23821490	Body gasket
13		Mounting bolts
14		Mounting washers
15		Mounting nuts
16		Mounting gasket
17	23821530	Body unit removal tool



SYMMONS MODEL 2 DRAIN ASSEMBLY

ITEM	PART #	DESCRIPTION
1	23823280	Flange
2	23823290	Stopper
3	23823300	Stopper o-ring
4	23823320	Ball washer
5	23823330	Nut
6	23823260	Clip
7	23823340	Pop-up rod
8	12890540	Extension strap w/screw
9	23823240	Lift rod
10	23823350	Stopper for model 1



**TOTAL
MAINTENANCE
SOLUTIONS**

HOUSTON
800/392-5066

ORLANDO
800/327-3022

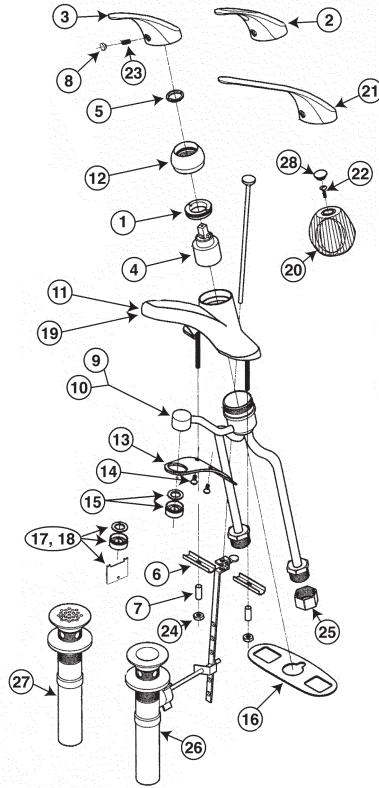
GREENVILLE
800/476-2212

LOOK FOR US ON THE WEB AT: www.TMSSouth.com

FAUCET REPAIR

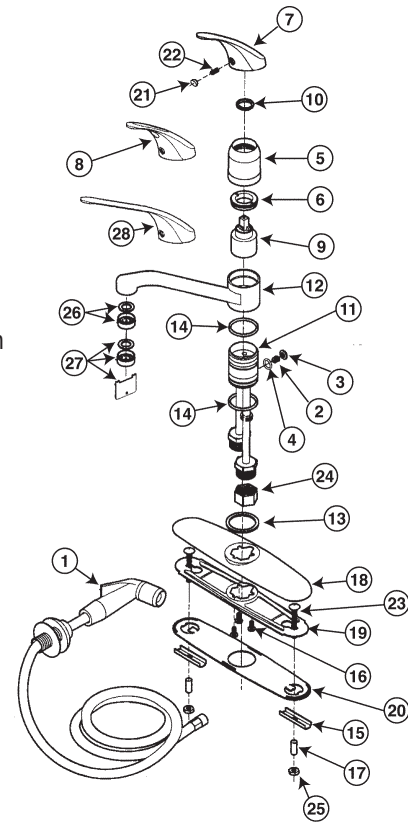
SYMMONS SYMMETRIX® S-20 SERIES SINGLE HANDLE LAVATORY FAUCET FROM 1997 TO DATE

ITEM	PART #	DESCRIPTION
1		Compression Ring
2	40150400	Solid handle
3		Loop handle
4	40170186	Cartridge
5		Limit stop ring
6		Anchor bar (2)
7		Mounting spacer (2)
8		Plug button
9		Cartridge housing assembly
10		Cartridge housing assembly
11		Shell
12		Valve cap
13		Undercover plate
14		Screw (2)
15	40110144	Aerator
16		Mounting gasket
17	40150397	Aerator (vandal resistant 0.5 gpm)
18	40110166	Aerator (vandal resistant)
19		Shell
20		Acrylic handle
21	40150401	6" lever handle with red/blue indicators
22		Screw
23	23821480	Set screw
24	23821505	Mounting nut (2)
25		Nut (2)
26		Pop-up drain assembly (complete)
27	40800167	Grid drain assembly (complete)
28	23820210	Plug button



SYMMONS SYMMETRIX® S-23 SERIES SINGLE HANDLE KITCHEN FAUCET FROM 1997 TO DATE

ITEM	PART #	DESCRIPTION	ITEM	PART #	DESCRIPTION
1	40110195	Hand spray	21		Plug button
2	40150399	Diverter	22	23821480	Set screw
3		Retaining ring	23	23821500	Carriage bolt (2)
4	64997046	O-ring	24	23821505	Mounting nut (2)
5		Valve cap	25		Nut (2)
6		Compression ring	26	40110016	Aerator
7	40150400	Solid handle	27	40110166	Aerator
8		Loop handle	28	40150401	6" lever handle with red/blue indicators
9	40170186	Cartridge			Cartridge wrench
10		Limit stop ring			
11		Supply body assembly with diverter	Not Shown		
		Supply body assembly without diverter			
12		Spout assembly			
13		Spacer			
14		O-ring (2)			
15		Anchor bar (2)			
16		Screw (3)			
17		Mounting spacer (2)			
18		Escutcheon			
		Escutcheon with hand spray hole			
19		Base plate			
20		Gasket			



**TOTAL
MAINTENANCE
SOLUTIONS**

HOUSTON
800/392-5066

ORLANDO
800/327-3022

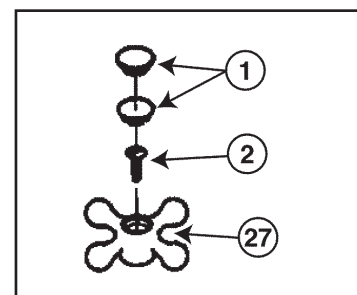
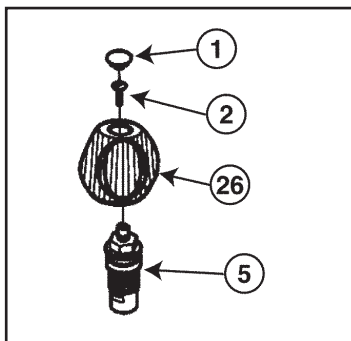
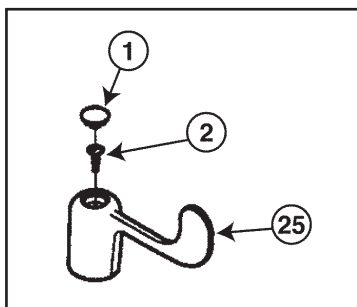
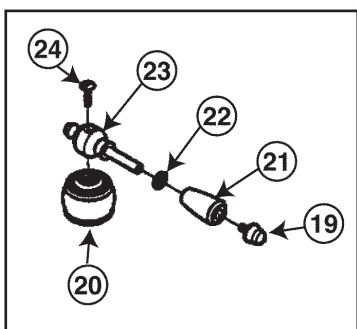
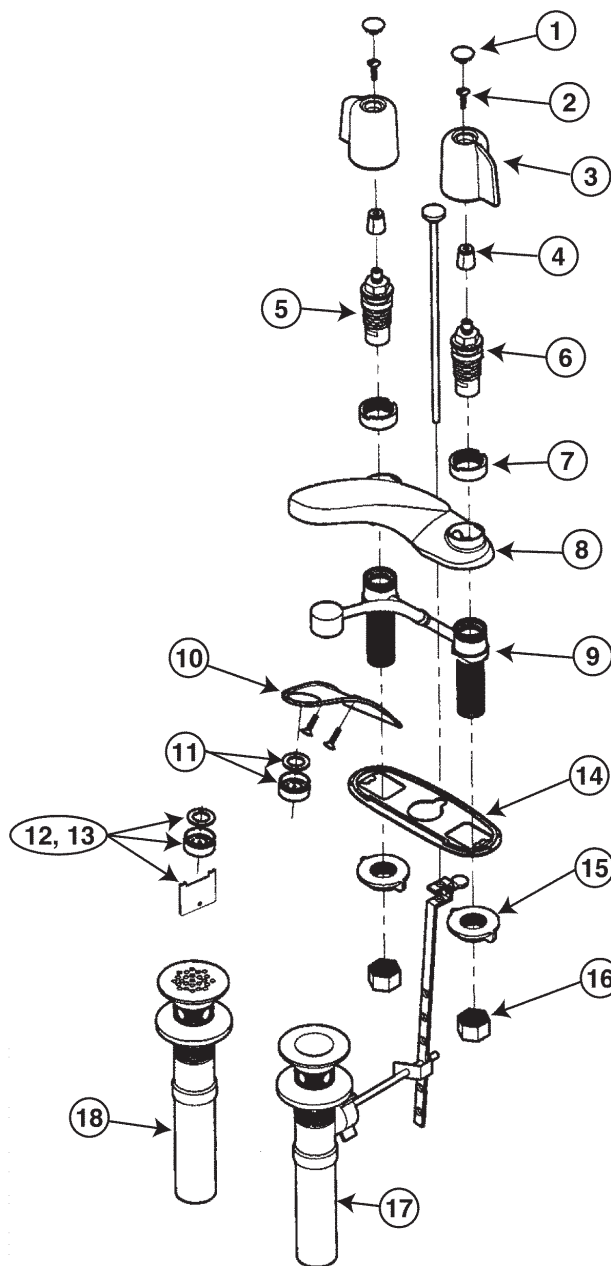
GREENVILLE
800/476-2212

LOOK FOR US ON THE WEB AT: www.TMSSouth.com

FAUCET REPAIR

SYMMONS SYMMETRIX® S-240 SERIES TWO HANDLE LAVATORY FAUCET FROM 2000 TO DATE

ITEM	PART #	DESCRIPTION
1	23820210	Plug button (plain)
	40150402	Plug button (blue)
	40150403	Plug button (red)
2		Phillips pan head screw
3	40150394	Lever handle (2)
4	40150404	Bushing
5	40150395	Valve cartridge (hot)
6	40150396	Valve cartridge (cold)
7		Lock ring
8		Shell
9		Supply body assembly
10		Undercover plate
11		Aerator
12	45972032	Aerator (vandal resistant 0.5 gpm)
13	40110166	Aerator (vandal resistant)
14		Gasket
15		Flange nut (2)
16		Nut (2)
17		Pop-up drain assembly
18	40800167	Grid drain assembly
19		Finial, handle
20		Lever handle collar (2)
21		White lever insert (2)
		Chrome lever insert (2)
		Clear lever insert (2)
22		Temperature indicator (red)
		Temperature indicator (blue)
23		Handle lever
24		Oval philips head screw (2)
25		ADA handle (2)
26		Acrylic handle (2)
27		Cross handle (2)

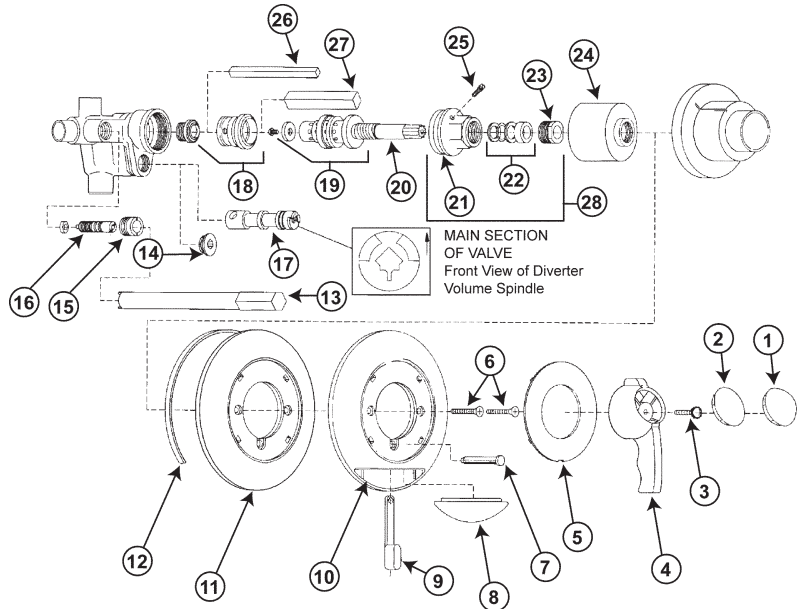


FAUCET REPAIR

SYMMONS TEMPTROL 2000

ITEM	PART #	DESCRIPTION
1	NLA	Plug button – flat
2	23821580	Plug button – round
3	23820905	Handle screw w/lock washer
4	23821574	Temperature control handle
5	23821570	Dial – black
	23821572	Dial – tan
6	23821568	Escutcheon screws (2)
7	23821558	Diverter stem
8	23821560	Shower dial – black
	23821562	Shower dial – tan
	23821564	Tub/shower dial – black
	23821566	Tub/shower dial – tan
9	23821556	Diverter and/or volume handle
10	23821554	Escutcheon – Model A & B
11	23821552	Escutcheon – Model C
12	23821550	Escutcheon gasket
13		Stop plaster shield removal tool
14	23820845	Diverter retainer
15	23821584	Stop plaster shield
16	23821582	Stop spindle assy.
17	23820855	Diverter spindle – beige or grey
	23820860	Diverter spindle – black
18	40150057	Hot & cold seat assy.
19	40150011	Hot & cold washer set
20	40150005	Spindle assembly
21	23820815	Cap gasket
22	23820820	Packing, o-ring & washer
23	23820825	Packing nut

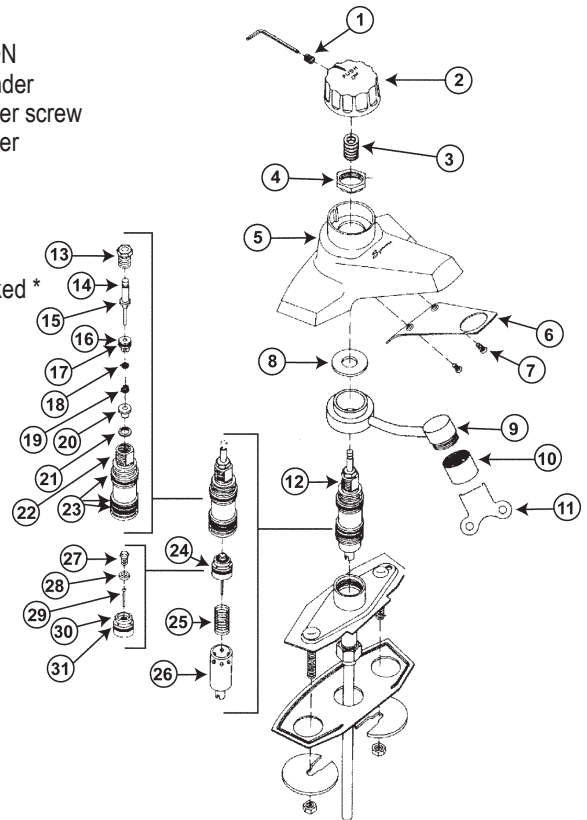
ITEM	PART #	DESCRIPTION
24	40150105	Dome cover & locknut
25	23820910	Limit stop w/o-ring
26	23820490	Hot seat removal tool
27	20401103	Cold seat removal tool
28	40150062	Cap assembly



SCOT S-61 METERING FAUCET

ITEM	PART #	DESCRIPTION
1		Handle set screw 3/32
2	23821592	Handle
3		Cycle time washers
4		Shell locking nut
5		Shell
6		Undercover plate
7		Undercover plate screws
8		Valve housing gasket
9		Spout assembly
10	40110135	VP Aerator
11		Aerator wrench
12	40150015	Control cartridge
		Control cartridge for quick close
13	*	Packing nut
14	*	Cycle spindle assy.
15	*	Cycle spindle ring
16	*	Spindle packing spacer
17	*	Spacer o-ring
18	*	Spindle guide huva cup
19	*	Huva cup retainer
20	*	Metering piston
21	*	Valve seat gasket
22		Supply housing cap
23	*	Supply housing o-rings (3)
24		Piston assembly
25		Piston spring

ITEM	PART #	DESCRIPTION
26		Metering cylinder
27	*	Shut off washer screw
28	*	Shut off washer
29	*	Metering pin
30		Valve seat
31	*	Piston o-ring
*	23821590	Repair kit – all items marked *



**TOTAL
MAINTENANCE
SOLUTIONS**

HOUSTON
800/392-5066

ORLANDO
800/327-3022

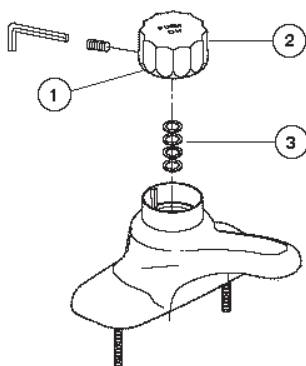
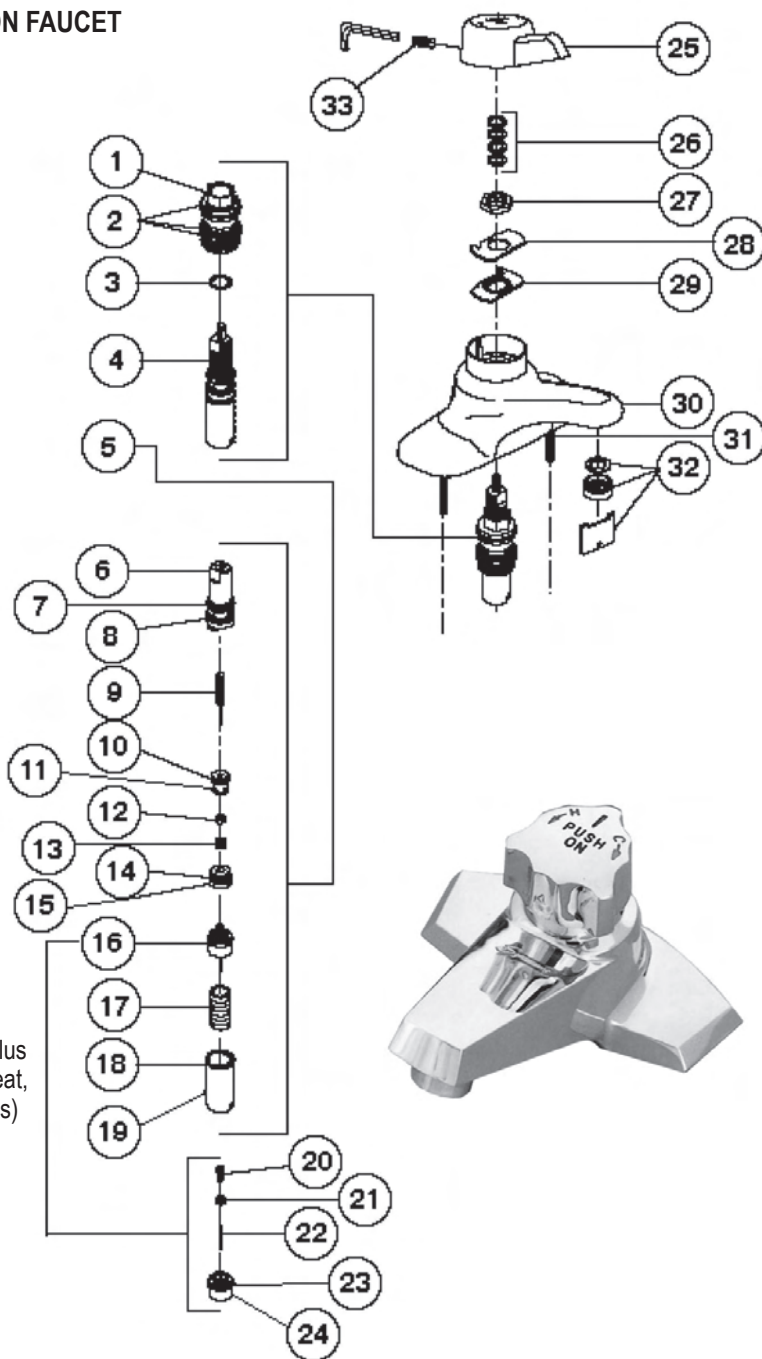
GREENVILLE
800/476-2212

LOOK FOR US ON THE WEB AT: www.TMSSouth.com

FAUCET REPAIR

SCOT S-60 METERING/TEMPERATURE SELECTION FAUCET

ITEM	PART #	DESCRIPTION
1		Upper housing
2	*	Upper housing o-rings
3	*	Thrust washer
4		Control cartridge
5		Control cartridge for quick closing
6	40150015	Control spindle
7	*	Control spindle small o-ring
8	*	Control spindle large o-ring
9		Cycle spindle assembly
10	*	Spindle guide large o-ring
11	*	Cycle spindle guide
12	*	Spindle guide huva cup
13	*	Huva cup retainer
14	*	Shut-off seat o-ring
15		Shut-off seat
16		Piston assembly
17	*	Piston spring
18	*	Retaining ring
19		Piston cylinder
20	*	Piston washer screw
21	*	Shut-off washer
22	*	Control rod
23	*	Piston o-ring
24		Piston
25		Handle
26		Cycle time washers
27		Limit stop retainer nut
28		Limit stop washer (adjustable)
29		Limist stop washer (fixed)
30		Shell
31		Anchor stud
32		Aerator (vandal resistant 0.5 gpm)
33	40110135	Aerator (vandal resistant) Repair kit (includes items marked *, plus the following items not shown: inlet seat, Inlet seat springs and inlet seat o-rings)



S-61 SERIES

ITEM	PART #	DESCRIPTION
1		Handle set screw
2		Handle
3		Cycle time washers



HOUSTON 800/392-5066 **ORLANDO** 800/327-3022 **GREENVILLE** 800/476-2212
 LOOK FOR US ON THE WEB AT: www.TMSSouth.com

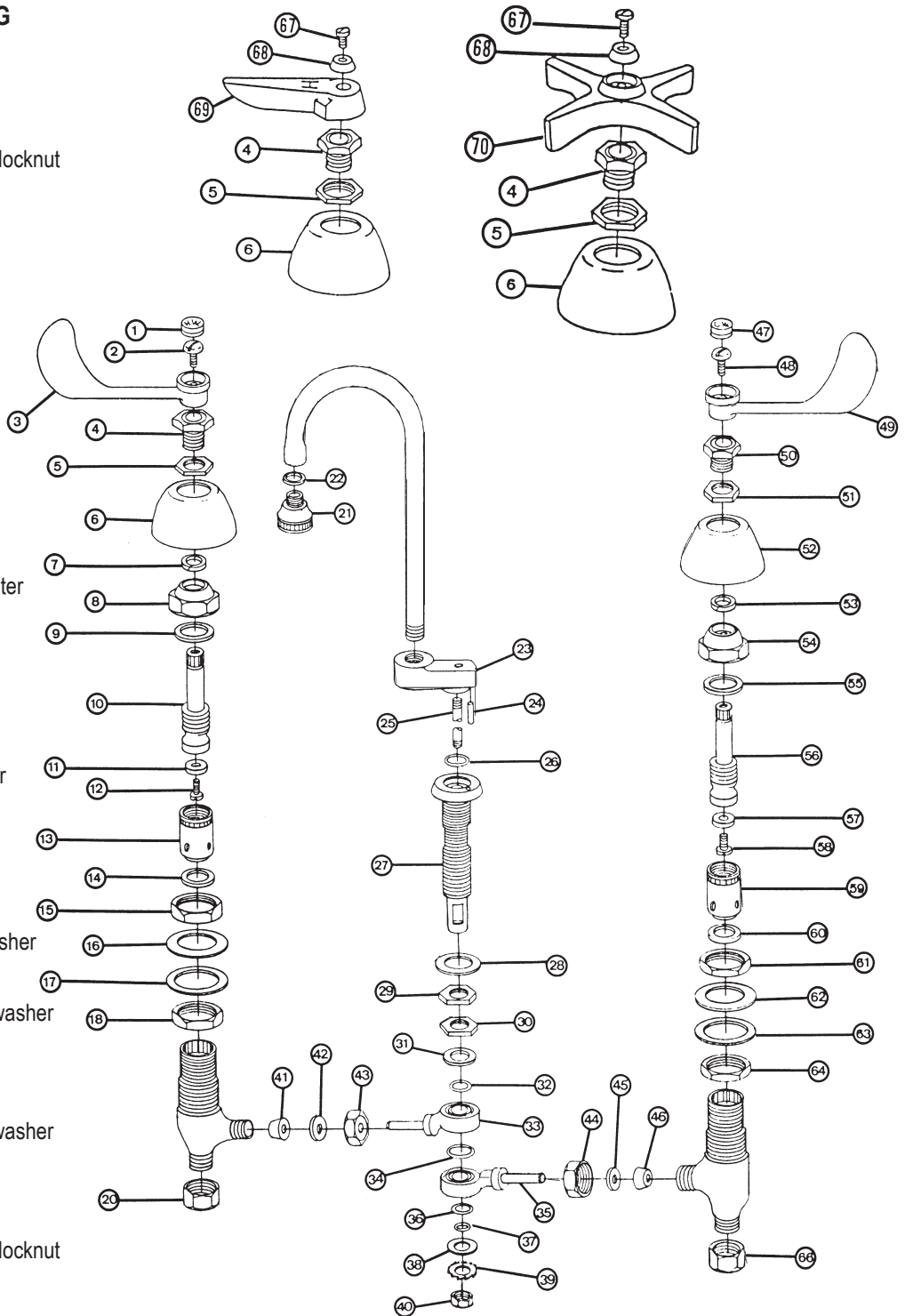
FAUCET REPAIR

T & S BRASS LAVATORY FITTING

ITEM	PART #	DESCRIPTION
1	40160159	Hot index
2	18860925	Handle screw
3	40160087	4" wrist handle
	18860420	6" wrist handle
4-5	18860725	Packing nut and locknut
6	18861257	Escutcheon
7	40160049	Packing
8	40160048	Bonnet
9	40160047	Bonnet gasket
10	40160007	Spindle -RH
11	40120020	Seat washer
12	50100021	Seat screw
13	40160016	Removable insert - RH
14	40160046	Seat gasket
15		Top locknut
16	18862290	Washer
17		Washer
18		Bottom locknut
20	18860958	Coupling nut
21	18862209	Rosespray
22	18861043	Washer
23		Gooseneck adapter
24		Roll pin
25		Nipple
26		O-Ring
27		Center body
28		Washer
29		Locknut
30		Locknut
31		Top brass washer
32	18861060	O-Ring
33		Swivel yoke
34	40950036	O-Ring
35		Nipple
36	18861060	O-Ring
37	18861070	O-Ring
38		Bottom brass washer
39		Star washer
40		Nut
41	18861091	Beveled rubber washer
42		Brass washer
43	18860958	Coupling nut
44	18860958	Coupling nut
45		Brass washer
46	18861091	Beveled rubber washer
47	40160158	Cold index
48	18860925	Handle screw
49	40160087	4" wrist handle
	18860420	6" wrist handle
50-51	18860725	Packing nut and locknut
52	18861257	Escutcheon
53	40160049	Packing
54	40160048	Bonnet
55	40160047	Bonnet gasket
56	40160008	Spindle LH
57	40120020	Seat washer
58	50100021	Seat screw
59	40160017	Removable insert LH
60	40160046	Seat gasket
61		Top locknut

ITEM	PART #	DESCRIPTION
62		Washer
63		Washer
64		Bottom locknut
66	18860958	Coupling nut
67	40120619	Handle screw

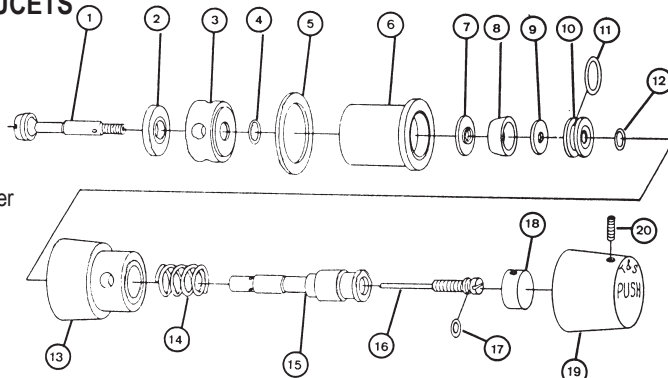
ITEM	PART #	DESCRIPTION
68	40160220	Hot index
	40160221	Cold index
69	40160011	Hot handle
	40160096	Cold handle
	40160020	Lever handles (pr)
70	40160138	Four arm handle



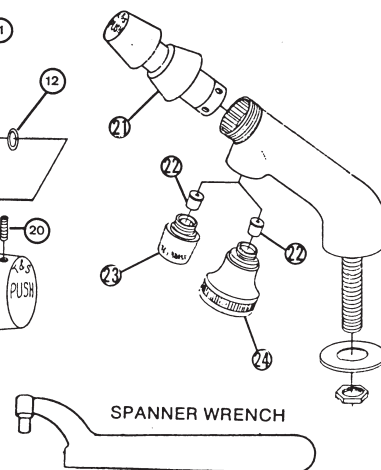
FAUCET REPAIR

T & S BRASS SLOW CLOSING FAUCETS

ITEM	PART #	DESCRIPTION
1		Stem
2	18861090	Seat washer
3		Water duct
4	40950018	O-Ring
5	18861021	Gasket
6		Cylinder
7		Piston back-up washer
8	NLA	Piston cup
9	NLA	Piston washer
10		O-Ring holder
11	40950024	O-Ring
12	40950020	O-Ring
13		Bonnet
14	18860894	Spring
15		Plunger
16		Adjusting screw
17	40950095	O-Ring
18		Cap insulator
19		Cap-specify H, C or blank
20	18860938	S/S set screw



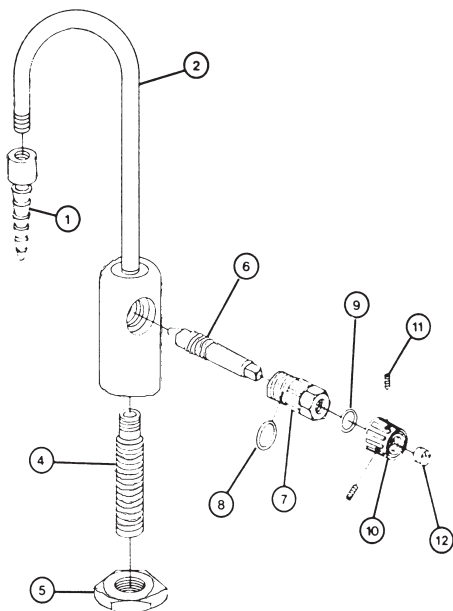
ITEM	PART #	DESCRIPTION
21	18862874	Slow self-closing cartridge
22		Flow control tower
23	18869902	Aerator
24	18862209	Rosespray
25	18861795	Spanner wrench



* Individual parts not available

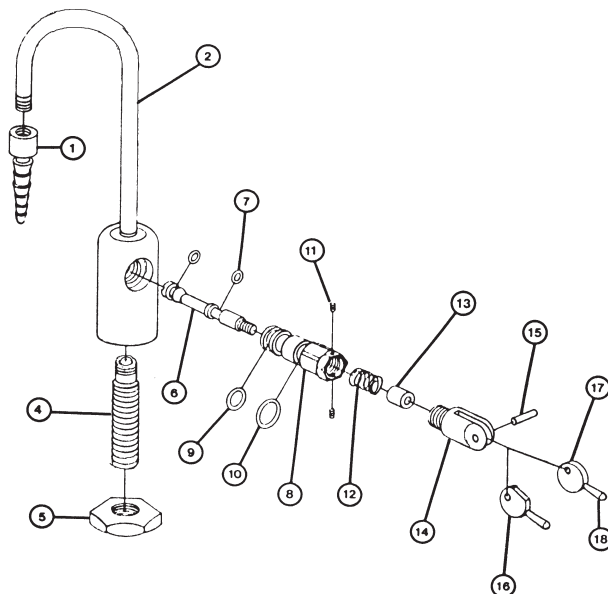
T & S BRASS PVC LABORATORY FAUCET BL-9505-1, 9505-2, 9506-1, 9510, 9530

ITEM	PART #	DESCRIPTION
1		Serrated tip
2		Gooseneck
4		Shank
5		Shank nut
6	18860493	Spindle
7	18860510	Bonnet
8	18861060	O-Ring
9	40950023	O-Ring
10	18861492	Knob
11	18860938	S/S set screw
12	18861206	Index button



T & S BRASS PVC LABORATORY FAUCET BL-9515-1, 2, 3, 4, 9520-1, 2, 3, 4

ITEM	PART #	DESCRIPTION
1		Serrated tip
2		Gooseneck
4		Shank
5		Shank nut
6	18860491	Stem
7	40950018	O-Ring
8	18860511	Bonnet
9	18861079	O-Ring
10	18861080	O-Ring
11	18860939	S/S set screw
12	18860904	Spring
13	18860492	Push button
14	18860494	Cam guide
15	18860489	Pin
16	18860496	Cam-manual & self-closing
17		Cam-manual
18		Handle



**TOTAL
MAINTENANCE
SOLUTIONS**

HOUSTON
800/392-5066

ORLANDO
800/327-3022

GREENVILLE
800/476-2212

LOOK FOR US ON THE WEB AT: www.TMSSouth.com

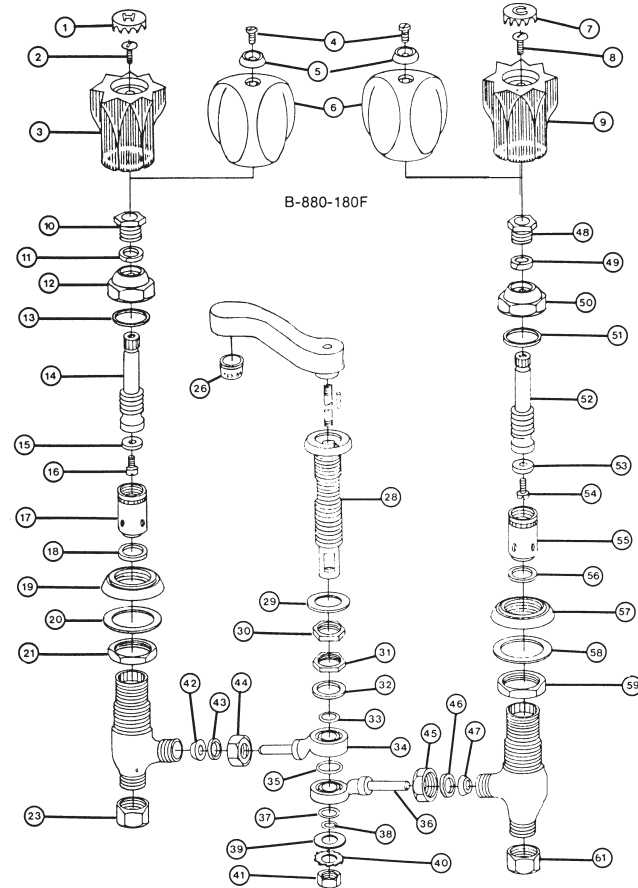
FAUCET REPAIR

T & S BRASS LAVATORY FITTING

ITEM	PART #	DESCRIPTION
1	18861328	Hot index
2	18860925	Handle screw
3	18861144	Alpine Handle
4	40120619	Handle screw
5	40160220	Hot index
	40160221	Cold index
6	18863166	Carolina handle – hot
	18863165	Carolina handle – cold
7	18861327	Cold index
8	18860925	Handle screw
9	18861144	Alpine handle
10-11	18860725	Packing nut and packing
12	40160048	Bonnet
13	40160047	Bonnet gasket
14	40160007	Spindle RH
15	40120020	Seat washer
16	50100021	Seat screw
17	40160016	Removable insert – RH
18	40160046	Seat gasket
19	18860537	Flange escutcheon
20		Washer
21		Bottom locknut
23	18860958	Coupling nut
26	40110144	Aerator
28		Center body
29		Washer
30		Locknut
31		Locknut
32		Top Brass Washer
33	40950036	O-Ring
34		Swivel Yoke
35	40950036	O-Ring
36		Nipple
37	18861060	O-Ring
38	18861070	O-Ring
39		Washer
40		Star washer
41		Nut
42	18861091	Beveled rubber washer
43		Brass washer
44	18860958	Coupling nut
45	18860958	Coupling nut
46		Brass washer

ITEM	PART #	DESCRIPTION
47	18861091	Beveled rubber washer
48	18860725	Packing nut
49	40160049	Packing
50	40160048	Bonnet
51	40160047	Bonnet gasket
52	40160007	Spindle RH
53	40120020	Seat washer

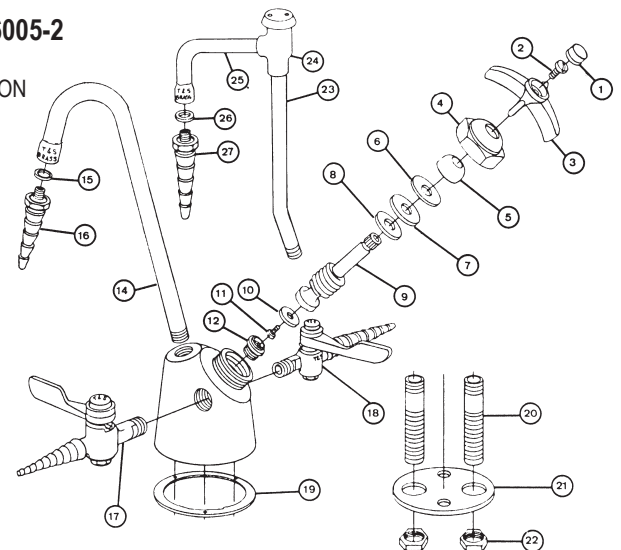
ITEM	PART #	DESCRIPTION
54	50100021	Seat screw
55	40160016	Removable insert RH
56	40160046	Seat gasket
57	18860537	Flange escutcheon
58		Washer
59		Bottom locknut
61	18860958	Coupling nut



T & S BRASS LABORATORY FAUCETS & STOPS BL-6000-2, BL-6005-2 COMBINATION GAS & WATER

ITEM	PART #	DESCRIPTION
1	40160158	Cold index
2	18860925	Handle screw
3	18860059	Four arm handle
4	40160234	Bonnet
5	40160233	Packing
6	40160232	S/S washer
7	18861047	Rubber washer
8	40160230	Brass washer
9	40160007	Spindle RH
10	40120020	Seat washer
11	50100021	Seat screw
12	40140113	Seat
14		Gooseneck
15	18861051	Washer
16	18861551	Serrated tip
17	18860209	Hose cock
18	18860209	Hose cock
19		Gasket

ITEM	PART #	DESCRIPTION
20		Nipple
21		Washer
22		Locknut
23		Riser
24	40110044	Vacuum breaker
25		Nozzle
26	18861051	Washer
27	18861551	Serrated tip



HOUSTON
800/392-5066

ORLANDO
800/327-3022

GREENVILLE
800/476-2212

LOOK FOR US ON THE WEB AT: www.TMSSouth.com