

# WASHFOUNTAINS



CIRCULAR



SEMI-CIRCULAR



CORNER

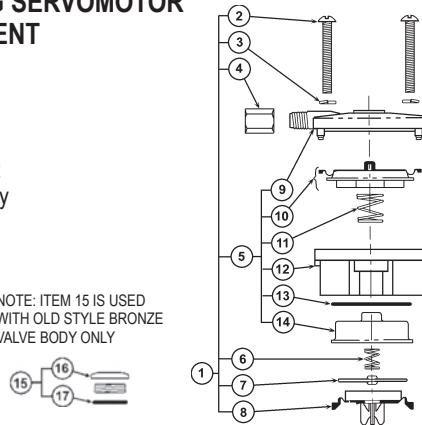


TERRAZZO MODELS

## ACORN AIR-CONTROL NON-METERING SERVOMOTOR ASSEMBLY – JANUARY 1984 TO PRESENT

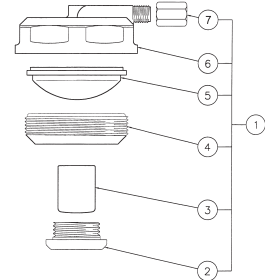
ITEM	PART #	DESCRIPTION
1		Direct acting assembly
2		8-32 x 1-1/4" Phillips screw
3		#8 lockwasher
4	41011087	1/8" plastic compression nut
5		Direct acting motor assembly
6	41011088	Pilot orifice plate spring
7	41011127	Pilot orifice plate assembly
8	41011089	Water diaphragm assembly
9		Direct acting cover plate
10	41011090	Diaphragm assembly
11	41011091	Actuator spring
12		Motor housing
13	41011092	Separator o-ring
14		Separator cup
15		Seat assembly
16		Air-control valve seat
17	41011017	O-ring
18	41011093	Water chamber assembly includes items 6, 7 & 8

NOTE: ITEM 15 IS USED WITH OLD STYLE BRONZE VALVE BODY ONLY



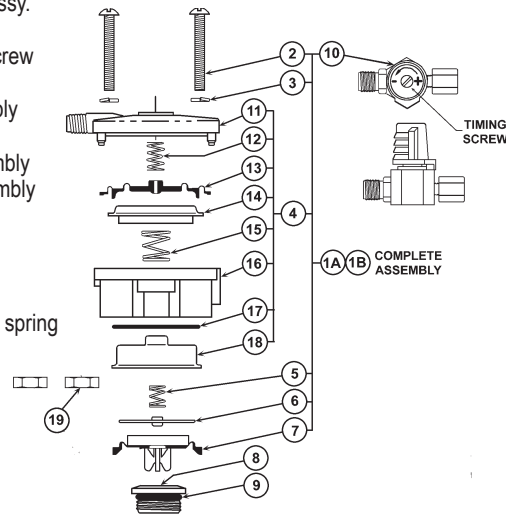
## ACORN AIR-TROL FOOT PEDAL ACTUATED BUTTON ASSEMBLY

ITEM	PART #	DESCRIPTION
1		Foot pedal actuated button assembly
2	33015550	Escutcheon
3	33015560	Pushbutton
4		Escutcheon retainer
5	41011109	Diaphragm
6	33015390	Diaphragm retainer
7		Ferrule nut



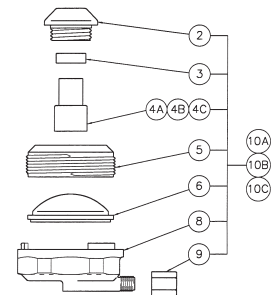
## ACORN AIR-CONTROL METERING SERVOMOTOR ASSEMBLY JANUARY 1984 TO PRESENT

ITEM	PART #	DESCRIPTION
1A	41011094	Metering Servomotor assy.
1B		Metering Servomotor assy. (plastic)
2		8-32 x 1-1/4" Phillips screw
3		#8 lockwasher
4		Metering motor assembly
5	41011088	Pilot orifice plate spring
6	41011127	Pilot orifice plate assembly
7	41011089	Water diaphragm assembly
8	41011137	Seat
9	41011017	Seat o-ring
10		Timer assembly
11		Metering cover plate
12		Metering air diaphragm spring
13	41011096	Metering air diaphragm
14		Magnet cup assembly
15	41011091	Actuator spring
16		Motor housing
17	41011092	O-ring
18		Separator cup
19		8-32 Hex nut



## TIME-TROL PUSHBUTTON ASSEMBLY (JAN '84 - PRESENT)

ITEM	PART #	DESCRIPTION
2	41011106	Escutcheon
3	33015510	Pushbutton spacer
4A	33015250	Pushbutton sgl. temp
4B	41011108	Pushbutton hot
4C	41011107	Pushbutton cold
5		Escutcheon retainer
6	41011109	Diaphragm
8	33015390	Diaphragm retainer
9		Ferrule nut
10A		Pushbutton side outlet sgl
10B		Pushbutton side outlet hot
10C		Pushbutton side outlet cold



**TOTAL MAINTENANCE SOLUTIONS**

**HOUSTON**  
800/392-5066

**ORLANDO**  
800/327-3022

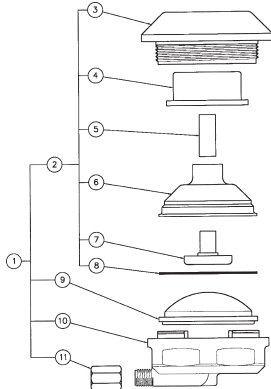
**GREENVILLE**  
800/476-2212

LOOK FOR US ON THE WEB AT: [www.TMSSouth.com](http://www.TMSSouth.com)

# WASHFOUNTAINS

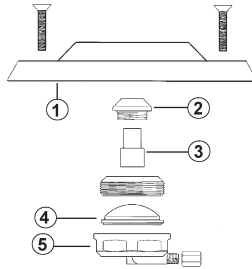
## AIR-TROL FOOTBUTTON ASSEMBLY

ITEM	PART #	DESCRIPTION
1		Complete footbutton assy.
2	33015220	Footbutton guide assy.
3	33015160	Escutcheon
4	33015180	Pushbutton
5	33015190	Tubular guide
7	33015170	Diaphragm actuator
8		Friction ring
9	41011109	Diaphragm
10		Diaphragm retainer
11		Compression nut



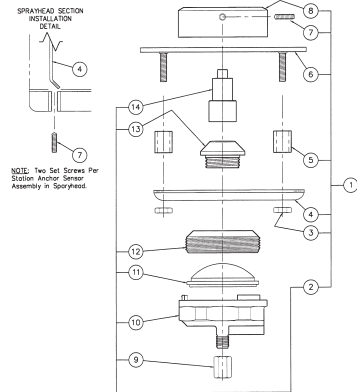
## AIR-CONTROL PUSHBUTTON ASSEMBLY

ITEM	PART #	DESCRIPTION
1	33015160	Escutcheon plate
2	41011106	Escutcheon
3	33015250	Pushbutton sgl. temp
	41011107	Pushbutton cold
	41011108	Pushbutton hot
4	41011109	Diaphragm
5	33015390	Diaphragm retainer



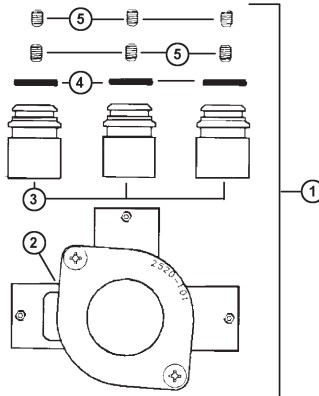
## HAND BUTTON ASSEMBLY TERRAZZO LAVATORIES

ITEM	PART #	DESCRIPTION
1	33016120	Handbutton assembly
2		Air-control assembly
3		Hex nut
4	33016130	Plate holder
5		Spacer
6		Air-control front plate weld assembly
7		Set screw
8	33016140	Diamond pushbutton
9		Ferrule nut
10		Diaphragm retainer
11	41011109	Diaphragm
12		Escutcheon retainer
13		Escutcheon
14		Terrazzo pushbutton

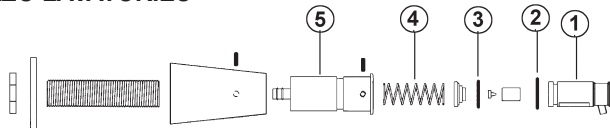


## SAFTI-THERM CONVERSION FOR WASHFOUNTAINS REPLACES PART #2520-000-001

ITEM	PART #	DESCRIPTION
1	33015950	Complete assembly
2	33015040	Valve assembly
3	33015850	Adapter 1/2" C x male
4	41011097	O-ring
5	33010386	Set screw



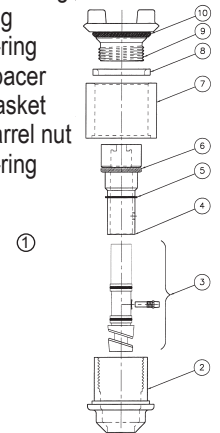
## METERING LIQUID PUMP SOAP DISPENSER FOR TERRAZZO LAVATORIES



ITEM	PART #	DESCRIPTION
1	33010650	Plunger assembly
2	41011017	O-ring
3	33010399	O-ring
4	33010660	Spring
5	33010680	Soap dispenser cartridge

## VERTICAL/GRAVITY SOAP DISPENSER

ITEM	PART #	DESCRIPTION
1	41011220	Lotion soap dispenser
2		Barrel for powdered soap
3	41011221	Soap dispenser
4		Dispenser adapter
5		Retaining ring
6		O-ring
7		Spacer
8		Gasket
9	41011222	Barrel nut
10	33010432	O-ring



HOUSTON  
800/392-5066

ORLANDO  
800/327-3022

GREENVILLE  
800/476-2212

LOOK FOR US ON THE WEB AT: [www.TMSSouth.com](http://www.TMSSouth.com)

# WASHFOUNTAINS

## HORIZONTAL PUMP TYPE SOAP DISPENSER

ITEM	PART #	DESCRIPTION
1		Pump soap dispenser assembly
2		Liquid soap plunger assembly
3		Screw
4		Liquid soap adapter ell
5		Tube fitting
6	41011223	Liquid soap plunger cartridge
7		Valve body
8		Screw
9		Cone point set screw
10		Cup point set screw
11	40950028	O-ring
12	33010648	Plunger
13	41011017	O-ring
14		Compression spacer
15		Duckbill
16	33010399	O-ring
17	33010679	Adapter
18	33010660	Spring



## THERMOSTATIC MIXING VALVE FOR WASHFOUNTAIN

ITEM	PART #	DESCRIPTION
1	33015044	Safti-Therm bonnet
2	33015052	Return comp. spring
3	33010350	Retainer ring
4	33010376	Set screw
5	33015048	Power pill shaft
6	33015050	Overtravel comp. spring
7	33015054	Power pill
8	33014078	O-ring

Thermostatic Mixing Valve  
(Washfountain MXT)  
Obsolete 1/1/90 Use  
PART # 33015040

## ACORN WASH-WARE NOZZLE ASSEMBLIES

ITEM	PART #	DESCRIPTION
1A	33017818	Complete nozzle assembly – straight
1B	33017822	Complete nozzle assembly – 20° angle
1C	33017828	Complete nozzle assembly – straight
1D	33017832	Complete nozzle assembly – 20° angle
1E		Complete nozzle assembly – 30° angle
2A	33017804	.5 GPM Flo-Control nozzle assembly – female
2B	33017816	.5 GPM Flo-Control nozzle assembly – male
3A		Straight nozzle adapter
3B		20° nozzle adapter
4A		Straight nozzle adapter
4B	33017824	20° nozzle adapter
4C		30° nozzle adapter
5		3/4" – 28 brass nut
6	41011122	1/4" Compression nut
7		1/8" NPT x 1/4" Compression ell

## TERRAZO NOZZLE ASSEMBLY

ITEM	PART #	DESCRIPTION
1		Terrazo nozzle assembly
2	33017804	Nozzle
3		Nozzle adapter
4	41011180	Black rubber washer
5	41011179	Retainer clip
6		Lockable ball joint nut
7		Ball joint
8		Waterproof paper washer
9		Nozzle adapter
10	40950028	O-ring
11		Cone point set screw
12		Screw
13		O-ring
14	41011175	Set screw
15	33010380	Set screw
16		Spanner key



**TOTAL  
MAINTENANCE  
SOLUTIONS**

**HOUSTON**  
800/392-5066

**ORLANDO**  
800/327-3022

**GREENVILLE**  
800/476-2212

LOOK FOR US ON THE WEB AT: [www.TMSSouth.com](http://www.TMSSouth.com)

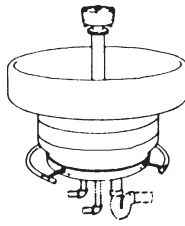
# WASHFOUNTAINS



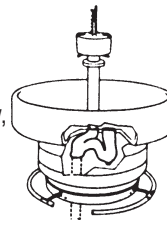
## COMPLETE WASHFOUNTAINS

When ordering specify:

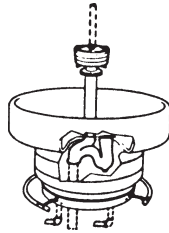
- 1) Circular, Semi-Circular, or Corner
- 2) Size 54" or 36"
- 3) Pre-Cast, Stainless Steel or Bradglas
- 4) Type of rough in 1, 2, 3, 4, 5.
- 5) Powdered or liquid soap dispenser or No Soap Dispenser.



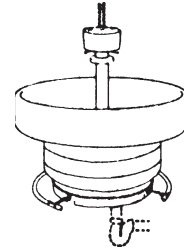
**TYPE 1**  
Supplies from below,  
vent off drain



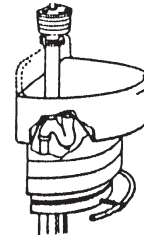
**TYPE 2**  
Supplies from above  
centrally rising vent.  
Special trap furnished.



**TYPE 3**  
Supplies from  
below centrally rising  
vent. Special trap  
furnished.



**TYPE 4**  
Supplies from above,  
vent off drain

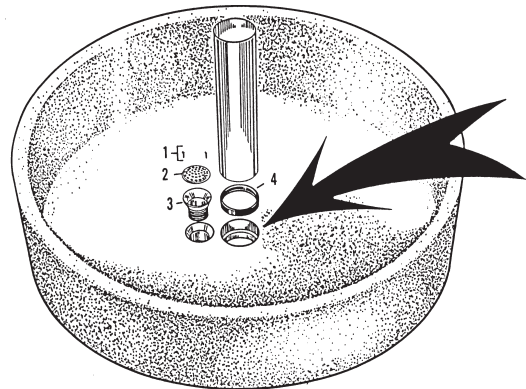


**TYPE 5**  
Supplies from below  
or through wall. Vent  
off drain through floor  
or wall

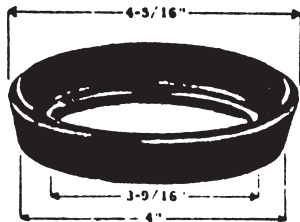
## WASHFOUNTAIN FITTINGS REPAIR PARTS (2 HOLE BOWLS)

ITEM	PART #	DESCRIPTION
1	50100003	Strainer Screw
2	37081096	Strainer Screen
3	37081012	Drain spud, pre-cast ftn.
	37081013	Drain spud, metal ftn.
*	37081094	Drain spud locknut
4A	37081054	Support tube gasket, pre-cast ftn.
4B	37081052	Support tube gasket, metal ftn.

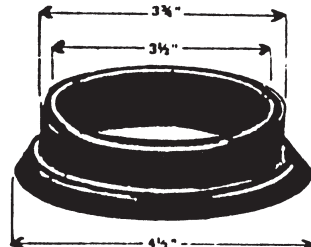
\*Not Illustrated



4" DIAMETER  
CENTER HOLE  
FOR SUPPLIES.  
2" OFF CENTER  
HOLE FOR  
DRAIN.



4A



4B

Pre-cast cracked and chipped bowl repair kit for white Marmorite and Granito bowls.  
PART # 37082000

Universal Pre-cast washfountain refinishing kit. For use on bowls where the cement binder & stone aggregate is still in tact. Kit does not contain portland cement.  
PART # 37082010



**TOTAL  
MAINTENANCE  
SOLUTIONS**

**HOUSTON**  
800/392-5066

**ORLANDO**  
800/327-3022

**GREENVILLE**  
800/476-2212

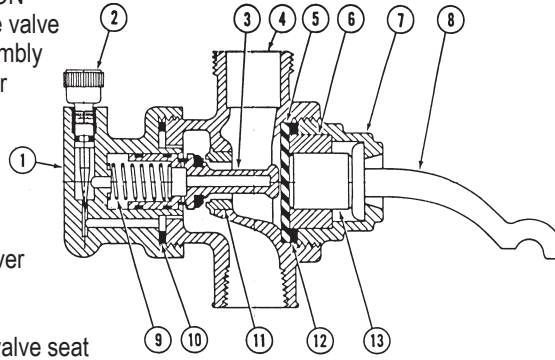
LOOK FOR US ON THE WEB AT: [www.TMSSouth.com](http://www.TMSSouth.com)



# WASHFOUNTAINS

## BRADLEY FOOT VALVE (NOV 1973 TO JAN 2003) – OBSOLETE

ITEM	PART #	DESCRIPTION
1	37081008	Body-needle valve
2	37081126	Needle assembly
3	37081146	Valve plunger assembly
4	37082435	Valve body
5	41021164	Diaphragm
6	37081100	Guide
7	37081010	Bottom nut
8	41021165	Operating lever
9	37081068	Spring
10	37081044	Gasket
11	37081016	Renewable valve seat
12	37081034	Fibre washer
13	37081020	Operating plunger



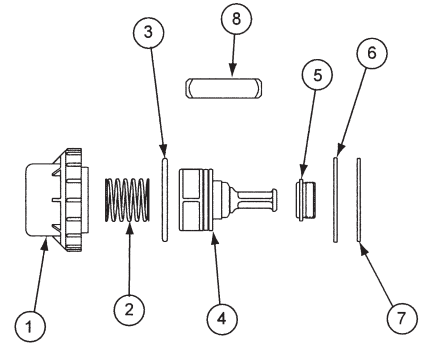
Complete foot valve – no longer available, order new style 40120098

## BRADLEY FOOT VALVE REPAIR KIT (FOR VALVES JAN 2003 – PRESENT)

PART # 40120212

Includes the following:

ITEM	DESCRIPTION
1	Foot valve cover
2	Spring
3	O-ring
4	Plunger assembly
5	Valve seat
6	Diaphragm
7	Washer – black phenolic
8	Key – valve seat

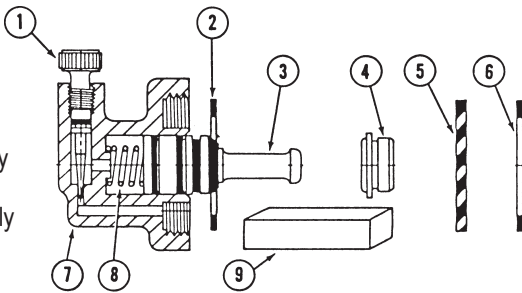


## BRADLEY FOOT VALVE REPAIR KIT (FOR VALVES NOV. 1973 – JAN 2003)

PART # 40120102

Includes the following:

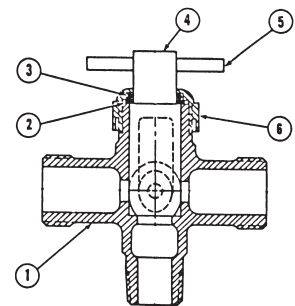
ITEM	PART #	DESCRIPTION
1	37081126	Needle assembly
2	37081044	Gasket
3	37081146	Plunger assembly
4	37081016	Valve seat
5	41021164	Diaphragm
6	37081034	Fibre washer
7	37081008	Body-needle valve
8	37081068	Spring
9	37081064	Key-valve seat



Repairs all foot valves furnished since April 1943 to January 2003

## MANUAL MIXING VALVE

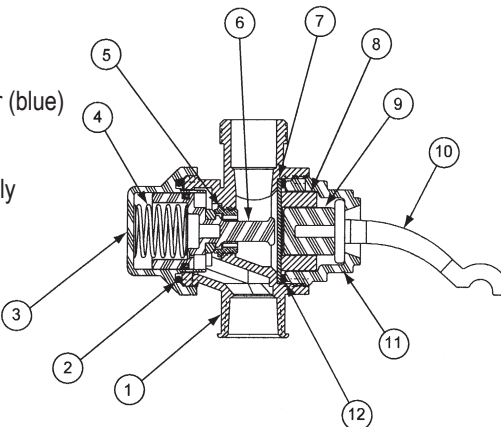
ITEM	PART #	DESCRIPTION
1	S73-001	Mixing valve body
2	41021094	*Fibre washer
3	40950026	*O-Ring
4	37081022	*Mixing valve core
5	37081080	*Roll pin
6	37081030	*Bonnet
	40120219	Complete valve – brass
	37081302	Complete valve – chrome
*	40120245	Mixing valve repair kit



## BRADLEY FOOT VALVE (JAN 2003 TO PRESENT)

Complete valve PART # 40120098

ITEM	PART #	DESCRIPTION
1		Foot valve body
2		O-ring
3		Foot valve cover (blue)
4		Spring
5		Valve seat
6		Plunger assembly
7	41021164	Diaphragm
8	37081100	Plunger guide
9	37081020	Plunger
10	41021165	Operating lever
11	37081010	Bottom nut
12	37081034	Washer – black phenolic



**TOTAL  
MAINTENANCE  
SOLUTIONS**

**HOUSTON**  
800/392-5066

**ORLANDO**  
800/327-3022

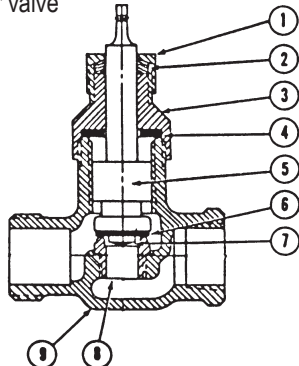
**GREENVILLE**  
800/476-2212

LOOK FOR US ON THE WEB AT: [www.TMSSouth.com](http://www.TMSSouth.com)

# WASHFOUNTAINS

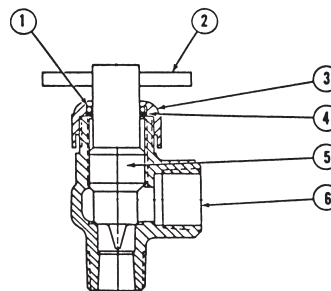
## GLOBE VOLUME CONTROL VALVE HAND CONTROL WASHFOUNTAINS

ITEM	PART #	DESCRIPTION
1	37082266	Packing nut
2	37081220	*Packing
3	37082513	Bonnet
4	37082525	*Fibre washer
5	37082470	Valve core
6	37082590	*Bibb washer
7	37082952	*Screw
8	37082426	*Valve seat
9	118-032B	Valve body
	37081104	Complete valve-brass
*	40120245	Repair kit for valve



## ANGLE VOLUME CONTROL VALVE

ITEM	PART #	DESCRIPTION
1	40950026	*O-Ring
2	37081080	*Roll pin
3	37081030	*Bonnet
4	41021094	*Fibre washer
5	37081024	*Valve core
6	118-033	Valve body
	40120220	Complete valve - brass
	37081323	Complete valve - chrome
*	40120246	Volume control repair kit



# Tubing!

We carry a variety of tubing for your plumbing needs.

### POLYETHYLENE TUBING

For water

- Made from non-toxic ingredients conforming to FDA and USDA standards
- Does not impart a taste or odor

(SOLD BY THE FOOT)

PART #	DESCRIPTION
40800586	1/8" ID x 1/4" OD, natural
40621198	1/4" ID x 3/8" OD, natural
33002143	3/8" ID x 1/2" OD, natural

### POLYURETHANE TUBING

For air

- Clamps not required when used with properly designed barbed fittings at pressures of 105 psi or less
- Resistant to weathering, kinking, tearing, abrasion, impact, and radiation exposure
- Wide range of temperature resistance: -90°F to 175°F

(SOLD BY THE FOOT)

PART #	DESCRIPTION
40800587	1/16" ID x 1/8" OD, red
40800564	1/16" ID x 1/8" OD, blue
33000528	1/16" ID x 1/8" OD, black

NEED A SPECIAL SIZE? SPECIAL ORDERS AVAILABLE!



**TOTAL  
MAINTENANCE  
SOLUTIONS**

**HOUSTON**  
800/392-5066

**ORLANDO**  
800/327-3022

**GREENVILLE**  
800/476-2212

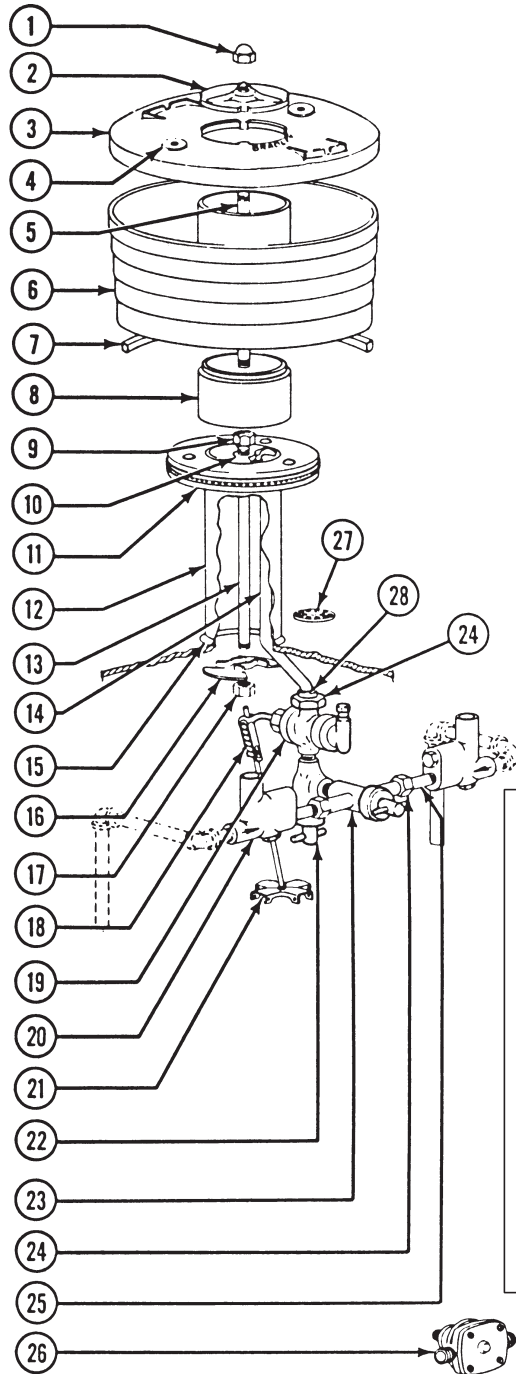
LOOK FOR US ON THE WEB AT: [www.TMSSouth.com](http://www.TMSSouth.com)

**WASHFOUNTAINS**



**AFB & AFC TYPES**

ITEM	PART #	DESCRIPTION
1	37081154	Locking cap nut
2	37081002	Dispenser cover
3	37082235	Nylon dispenser lid
	37081795	Cyclolac dispenser lid
4	37081120	Nylon filler hole cap
5	37083260	Upper tie rod
6	37082663	Nylon dispenser container
7	37081116	Powdered soap valve
	37081409	Liquid soap valve-brass
	37081417	Liquid soap valve-celcon
8	37081014	Nylon support tube
	37082392	Cyclolac support tube
9	37082076	Locking coupling nut
10	37082913	Upper tie bar
11	37081346	Sprayhead
12	37082012	Sprayhead support tube- 54"
	37082013	Sprayhead support tube- 36"
13	37083252	Lower tie rod- 54"
	37083251	Lower tie rod- 36"
14	37082386	Supply pipe, pre-cast bowl 54"
	37082385	Supply pipe, pre-cast bowl 36"
	37082384	Supply pipe, metal bowl 54"
	37082383	Supply pipe, metal or Bradglas 36"
	37082399	Supply pipe. Bradglas bowl 54"
15	37081052	Support tube gasket, metal
	37081054	Support tube gasket, all other
16	37082912	Lower tie bar
17	37082078	Locking hex nut
18	41021166	Operating rod assembly., std. height
	37081123	Operating rod assembly., juv. height
19	40120098	Foot valve
20	40120103	Comb. stop, strainer, check valve
21	37081084	Operating cross
22	40120220	Volume control valve
23	40120219	Manual mixing valve
24	37082268	Tail piece nut
25	37082640	Tail piece
*	37082521	Tail piece washer
26	37081306	Thermostatic mixing valve
27	37081096	Strainer
*	37081088	Strainer screw
*	37081012	Drain spud, pre-cast or Bradglas
*	37081013	Drain spud, metal bowl
*	37081094	Drain spud locking nut
28	37082642	Foot valve tail piece



\* Repair kit for thermostatic mixing valve  
PART # 37081806

\*NOT ILLUSTRATED

Items 1 through 10 comprise a complete soap dispenser assembly. For a complete assembly order as follows:

- 37081475 Nylon LSD ( White nylon container and support tube, black nylon lid and filler hole caps)
- 37081484 Nylon PSD ( White nylon container and support tube, black nylon lid and filler hole caps)
- 37081521 Metal LSD ( Cyclolac container enclosed in S/S and chrome plated cyclolac support tube, lid & filler hole caps)
- 37081530 Metal PSD ( Cyclolac container enclosed in S/S and chrome plated cyclolac support tube, lid & filler hole caps)

For washfountains less soap dispensers substitute PART # 37082235 for item # 2 and delete items 3 through 10.



**TOTAL  
MAINTENANCE  
SOLUTIONS**

**HOUSTON**  
800/392-5066

**ORLANDO**  
800/327-3022

**GREENVILLE**  
800/476-2212

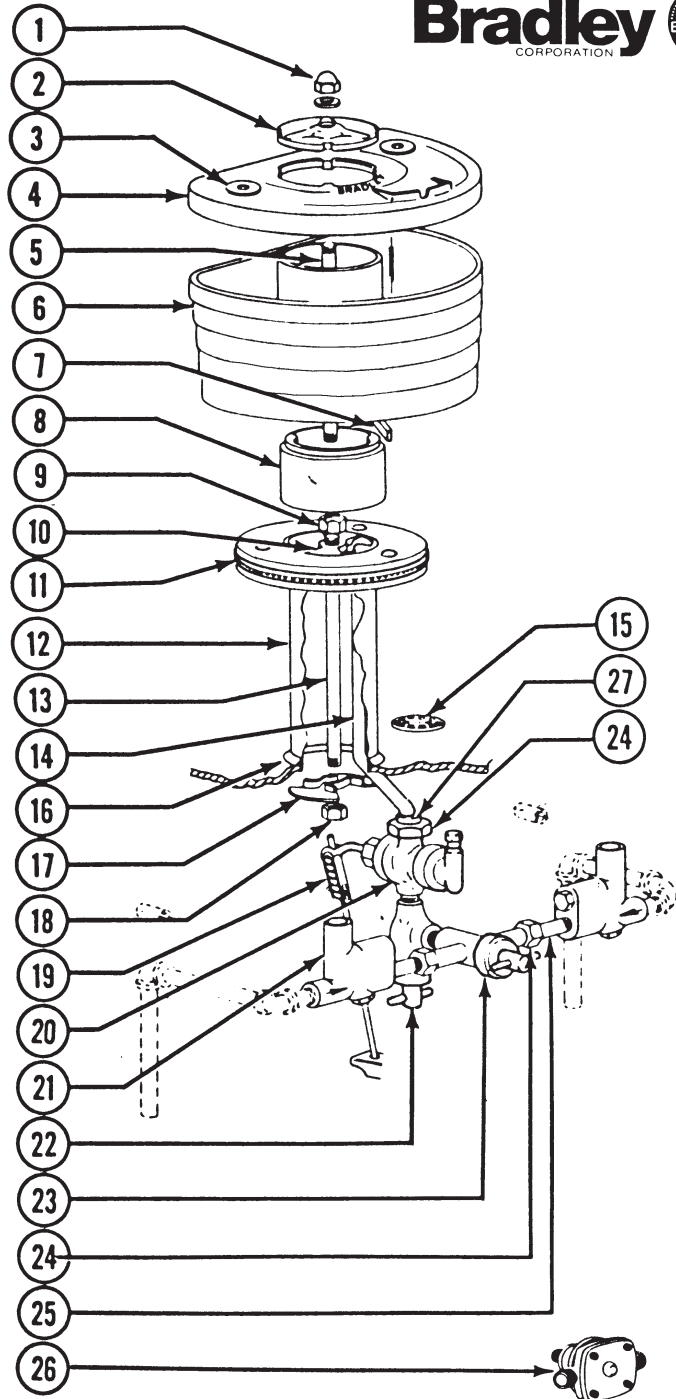
LOOK FOR US ON THE WEB AT: [www.TMSSouth.com](http://www.TMSSouth.com)

# WASHFOUNTAINS



## CFC TYPES

ITEM	PART #	DESCRIPTION
1	37081154	Locking cap nut
2	37081002	Dispenser cover
3	37081120	Nylon filler hole cap
	37081421	Cycolac filler hole cap
4	37082236	Nylon dispenser lid
5	37083260	Upper tie rod
6	37082664	Nylon dispenser container
	37081796	Cycolac dispenser container
7	37081116	Powdered soap valve
	37081409	Liquid soap valve-brass
	37081417	Liquid soap valve-celcon
8	37081014	Nylon support tube
	37082392	Cycolac support tube
9	37082076	Locking coupling nut
10	37082913	Upper tie bar
11	40401010	Sprayhead, CFB, CFC
	37081349	Sprayhead, KFC only 54"
12	37082012	Sprayhead support tube 54"
	37082013	Sprayhead support tube 36"
13	37083252	Lower tie rod 54"
	37083251	Lower tie rod 36"
14	37082386	Supply pipe, pre-cast bowl 54"
	37082385	Supply pipe, pre-cast bowl 36"
	37082384	Supply pipe, metal bowl 54"
	37082383	Supply pipe, metal or Bradglas 36"
	37082399	Supply pipe, Bradglas bowl 54"
15	37081096	Strainer
*	37081088	Strainer screw
*	37081012	Drain spud, pre-cast or Bradglas
*	37081013	Drain spud, metal bowl
*	37081094	Drain spud locking nut
16	37081052	Support tube gasket, metal
	37081054	Support tube gasket, all other
17	37082912	Lower tie bar
18	37082078	Locking hex nut
19	41021166	Operating rod assy., std. height
	37081123	Operating rod assy., juv. height
20	40120098	Foot valve
21	40120103	Comb. stop, stainer, check valve
22	40120220	Volume control valve
23	40120219	Manual mixing valve
24	37082268	Tail piece nut
	37082640	Tail piece
*	37082521	Tail piece washer
26	37081306	Thermostatic mixing valve
27	37082642	Foot valve tail piece



\*NOT ILLUSTRATED

Items 1 through 10 comprise a complete soap dispenser assembly. For a complete assembly, order as follows:

37081503	Nylon LSD ( White nylon container and support tube, black nylon lid and filler hole caps)
37081512	Nylon PSD ( White nylon container and support tube, black nylon lid and filler hole caps)
37081539	Metal LSD ( Cycolac container enclosed in S/S and chrome plated cycolac support tube, lid & filler hole caps)
37081548	Metal PSD ( Cycolac container enclosed in S/S and chrome plated cycolac support tube, lid & filler hole caps)

For washfountains less soap dispensers substitute PART # 37082235 for item no. 2 and delete items 3 through 10.



**TOTAL  
MAINTENANCE  
SOLUTIONS**

**HOUSTON**  
800/392-5066

**ORLANDO**  
800/327-3022

**GREENVILLE**  
800/476-2212

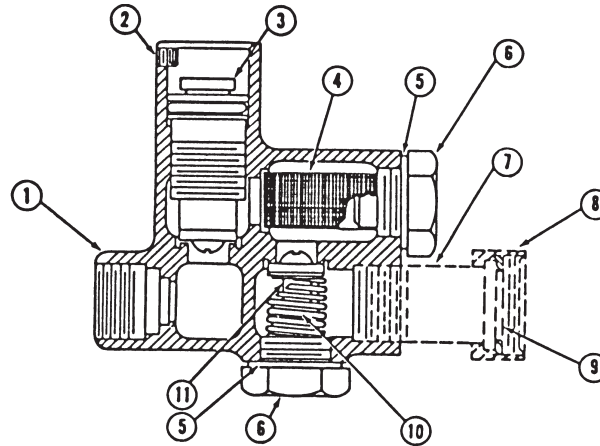
LOOK FOR US ON THE WEB AT: [www.TMSSouth.com](http://www.TMSSouth.com)



# WASHFOUNTAINS

## BRADLEY COMBINATION CHECK VALVE ASSEMBLY

ITEM	PART #	DESCRIPTION
1	118-039	Valve body-brass
2	37082946	Set screw
3	37081124	Stop assy.-Celcon
	37081125	Stop assy.-brass
4	37082904	Screen*
5	37081033	Fibre washer*
6	37081082	Plug - brass*
7	37082640	Tail piece - brass
8	37082268	Tail piece nut - brass
9	37082521	Tail piece washer*
10	37082669	Spring*
11	41021103	Check assy.*
*	41021068	Repair kit for check valve

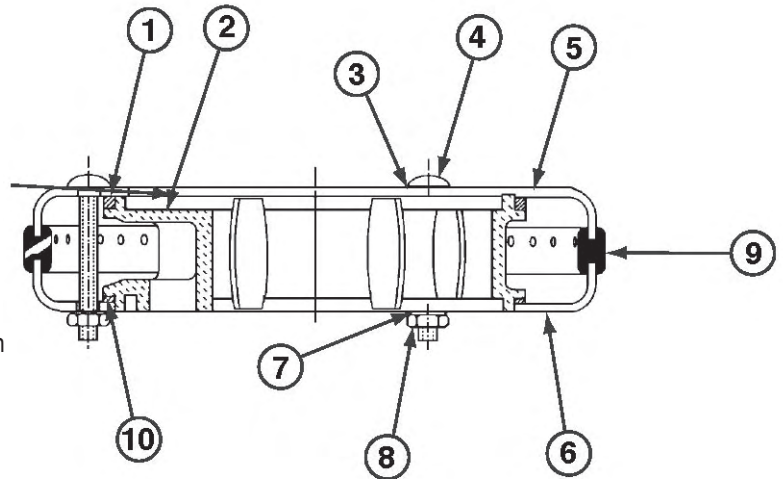


40120103  
BRASS VALVE ONLY

40120211  
BRASS VALVE WITH  
TAILPIECES, NUTS &  
WASHERS

## SPRAYHEADS: STANDARD W/ RUBBER SPRAY RING GROMMET

ITEM	PART #	DESCRIPTION
1	40120244	Gasket (comes in kit only)
2	37082698	Sprayhead manifold
3	37082524	Fibre washer
4	37082973	Carriage bolt
5	37082419	Sprayhead top
6	37082425	Sprayhead bottom
7	40121170	Nylon washer
8	37083002	Nut
9	37081036	Spray ring grommet, circle washfountain
9	37081037	Spray ring grommet, semi washfountain
9	37081039	Spray ring grommet, corner washfountain



\*Furnished Since April 1972

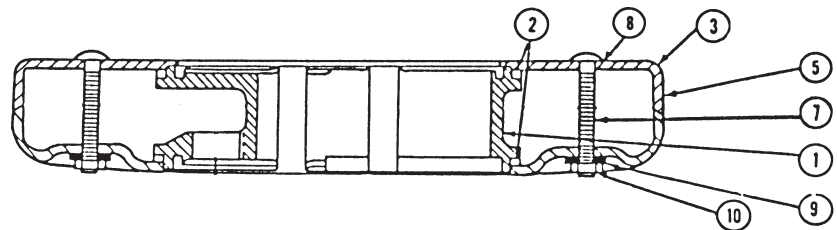
## COMPLETE SPRAYHEADS

PART #	DESCRIPTION	GROMMET #
37081346	Circle, hand or foot control	37081036
37081347	Semi, hand control	37081037
40401010	Semi, foot control	37081037
37081349	Corner, foot control	37081039
37081350	Corner, hand control	37081039

REPAIR KIT FOR SPRAYHEAD  
ORDER PART # 40120244

## SPRAYHEADS: UNITS WITHOUT RUBBER GROMMET

FURNISHED AS STANDARD PRIOR  
TO APRIL 1972 AND CURRENTLY  
FOR BARRIER-FREE UNITS



REPAIR PARTS NO LONGER AVAILABLE  
ORDER COMPLETE NEW STYLE SPRAYHEAD



**TOTAL  
MAINTENANCE  
SOLUTIONS**

**HOUSTON**  
800/392-5066

**ORLANDO**  
800/327-3022

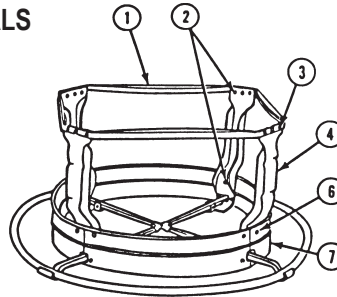
**GREENVILLE**  
800/476-2212

LOOK FOR US ON THE WEB AT: [www.TMSSouth.com](http://www.TMSSouth.com)

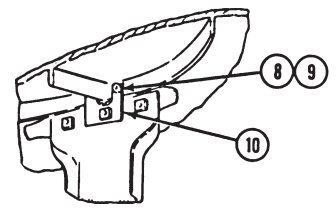
# WASHFOUNTAINS

## CIRCULAR WASHFOUNTAIN METAL PEDESTALS

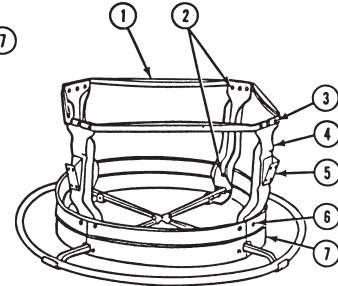
ITEM	PART #	DESCRIPTION
1	37083312	Frame member 54"
	37083313	Frame member 36"
2	37083006	Nut
3	37082939	Stove bolt
4	40120247	Leg, standard height
	37083308	Leg, juvenile height
5	37082727	Bracket, std. ht. taper panel 54"
*	37082979	Panel screw, std. ht.
*	37082979	Panel screw, juv. ht.
*	37082778	Taper panel screw washer std. ht.
6	37082929	Carriage bolt, plated
7	37083290	Scuff base, S/S 54"
	37083291	Scuff base, S/S 36"
8	37082933	Screw, Bradglas bowl only
9	37083008	Nut, Bradglas bowl only
10	37082723	Bracket, Bradglas bowl only



FOR STANDARD PANELS  
Fits precast, metal,  
Bradglas bowls

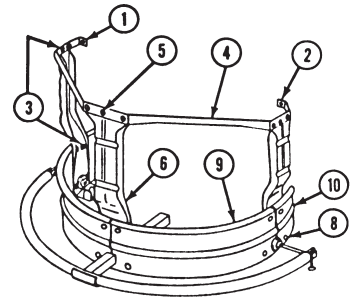


FOR TAPERED  
PANELS  
Fits Bradglas  
bowls only

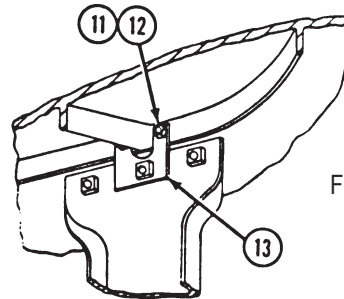


## SEMI-CIRCULAR WASHFOUNTAIN METAL PEDESTALS

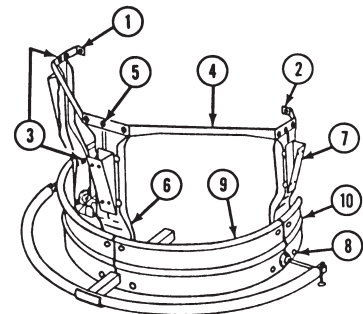
ITEM	PART #	DESCRIPTION
1	37082702	Wall bracket, precast bowl 54"
2	37082703	Wall bracket, precast bowl 54"
1	37082704	Wall bracket, precast bowl 36"
2	37082705	Wall bracket, precast bowl 36"
1	37082730	Wall bracket, metal bowl 54"
2	37082731	Wall bracket, metal bowl 54"
1	37082732	Wall bracket, metal bowl 36"
2	37082733	Wall bracket, metal bowl 36"
1	37082732	Wall bracket, Bradglas bowl 54"
2	37082733	Wall bracket, Bradglas bowl 54"
1	37082734	Wall bracket, Bradglas bowl 36"
2	37082735	Wall bracket, Bradglas bowl 36"
3	37083006	Nut for frame member, scuff base
4	37083312	Frame member 54"
4	37083313	Frame member 36"
5	37082939	Stove bolt for frame member
6	40120247	Leg, standard height
*	37083308	Leg, juvenile height
7	37082727	Bracket, tapered panels, std. ht.
*	37082979	Bracket screw, standard height
*	37082979	Bracket screw, juvenile height
8	37082929	Carriage bolt, S/S scuff base
9	37083290	Scuff base, S/S 54"
9	37083291	Scuff base, S/S 36"
10	37081810	Scuff base ends, S/S, metal bowl (set of 2) 54"
	37081820	Scuff base ends, S/S, metal bowl (set of 2) 36"
	37081805	Scuff base ends, S/S, precast bowl (set of 2) 54"
	37081815	Scuff base ends, S/S, precast bowl (set of 2) 36"
	37081810	Scuff base ends, S/S, Bradglas bowl (set of 2) 54"
	37081820	Scuff base ends, S/S, Bradglas bowl (set of 2) 36"
11	37082933	Screw, Bradglas only
12	37083008	Nut, Bradglas bowl only
13	37082723	Bracket, Bradglas bowl only
*	37082979	Taper panel screw, Bradglas, std. ht.
*	37082979	Straight panel screw, all std. ht.
*	37082979	Straight panel screw, all juv. ht.
*	37082778	Taper panel screw washer, std. ht.



FOR STANDARD PANELS  
Fits precast, metal,  
Bradglas bowls



FOR BRADGLAS ONLY



FOR TAPERED PANELS  
Fits Bradglas bowls  
only

\*NOT ILLUSTRATED



**TOTAL  
MAINTENANCE  
SOLUTIONS**

**HOUSTON**  
800/392-5066

**ORLANDO**  
800/327-3022

**GREENVILLE**  
800/476-2212

LOOK FOR US ON THE WEB AT: [www.TMSSouth.com](http://www.TMSSouth.com)

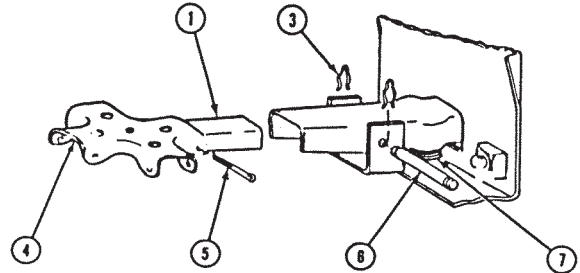
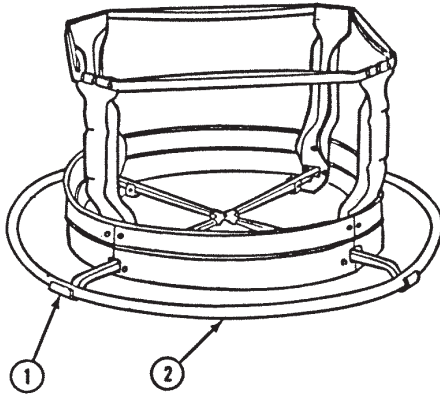
**WASHFOUNTAINS**

**CIRCULAR FOOT CONTROL LINKAGE**

ITEM	PART #	DESCRIPTION
1	37082801	Foot lever - 54" fountain (4)
	37082803	Foot lever - 36" fountain (4)
2	37081709	Foot rail assembly - 54" fountain (1)
	37081708	Foot rail assembly - 36" fountain (1)
3	37083028	Spring clip fastener (8)
4	37081084	Operating cross (1)
5	37083027	Cotter pin (4)
6	37082855	Pivot pin (4)
7	37081070	Foot lever spring (4)

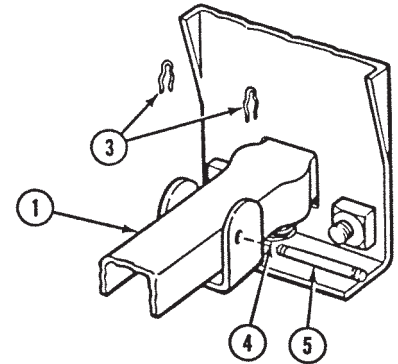
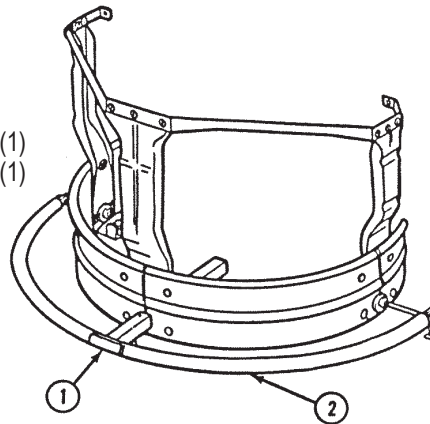


NOTE: Items 3 through 7 are available in a prepack poly bag.  
To order use PART # 37081799.

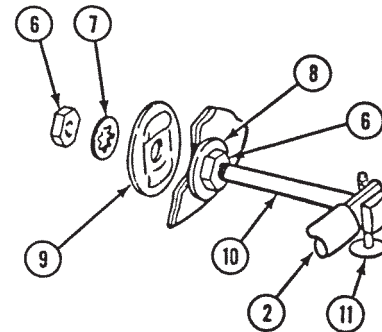


**SEMI-CIRCULAR FOOT CONTROL LINKAGE**

ITEM	PART #	DESCRIPTION
1	37082801	Foot lever - 54" fountain (1)
	37082803	Foot lever - 36" fountain (1)
2	37081711	Foot rail assembly - 54" fountain (1)
	37081710	Foot rail assembly - 36" fountain (1)
3	37083028	Spring clip fastener (2)
4	37081070	Foot lever spring (1)
5	37082855	Pivot pin (1)
6	37081093	Jam nut (4)
7	37081075	Shakeproof washer (2)
8	37082755	Flat washer (2)
9	37081076	Ribbed washer (2)
10	37081090	Pivot bolt 54" fountain (2)
	37081089	Pivot bolt 36" fountain (2)
11	37081091	Elevator bolt (2)



Note: Items 3 through 11 are available in a prepack poly bag.  
Order part #s  
37081801 for 36" fountains  
37081802 for 54" fountains



**TOTAL  
MAINTENANCE  
SOLUTIONS**

**HOUSTON**  
800/392-5066

**ORLANDO**  
800/327-3022

**GREENVILLE**  
800/476-2212

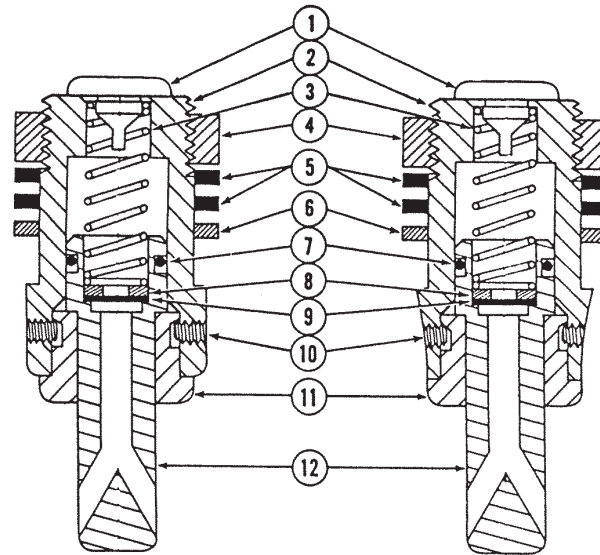
LOOK FOR US ON THE WEB AT: [www.TMSSouth.com](http://www.TMSSouth.com)

# WASHFOUNTAINS

## BRADLEY SOAP DISPENSING VALVES

### METERING LIQUID SOAP VALVE NATURAL CELCON PLASTIC

PART #	ITEM	DESCRIPTION
1	37083324	Duck bill check-rubber
2	118-101A	Valve body- Celcon plastic
3	37082681	Spring - stainless steel
4	37083000	Nut - Celcon plastic
5	37081033	Fibre washer
6	37081073	Washer - chromed steel
7	37082569	O-Ring - rubber
8	37082926	Retainer - Celcon plastic
9	37081058	Slit diaphragm - rubber
10	37082949	Set screw - stainless steel
11	37083270	Plunger guide - Celcon plastic
12	37081026	Plunger - Celcon
	37081420	Complete valve



### METERING LIQUID SOAP VALVE CHROME PLATED BRASS

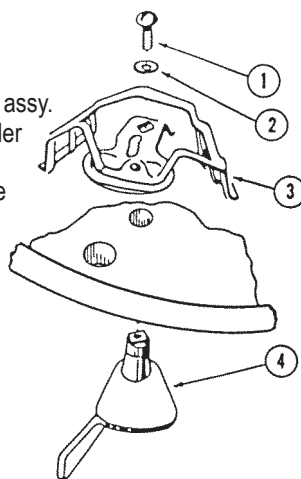
ITEM	PART #	DESCRIPTION
1	37083324	Duck bill check - rubber
2	118-101	Valve body - chrome brass
3	37082681	Spring - stainless steel
4	37081202	Nut - brass
5	37081033	Fibre washer
6	37081073	Washer - chromed steel
7	37082569	O-Ring - rubber
8	37082926	Retainer - Celcon plastic
9	37081058	Slit diaphragm - rubber
10	37082943	Set screw - stainless steel
11	37083269	Plunger guide - chromed brass
12	37082480	Plunger - chromed brass
	37081118	Complete valve

37081420  
Celcon Plastic Valve

37081118  
Chrome Plated  
Brass Valve

### POWDERED SOAP VALVE

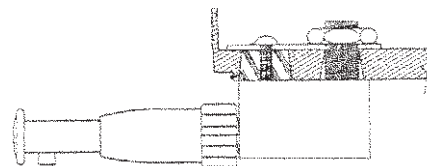
ITEM	PART #	DESCRIPTION
1	37082933	Screw
2	37082788	Washer
3	37082029	Agitator & Slide assy.
4	37083305	Lower valve slider
*	37082858	Reducer plug - available for use with fine grain soap to reduce flow
	37081116	Complete valve



\*NOT ILLUSTRATED

### REPLACEMENT SOAP VALVE

PART #	DESCRIPTION
37083268	SO9-57 Lotion soap valve
37083267	SO9-57s Lotion soap valve w/ attaching parts

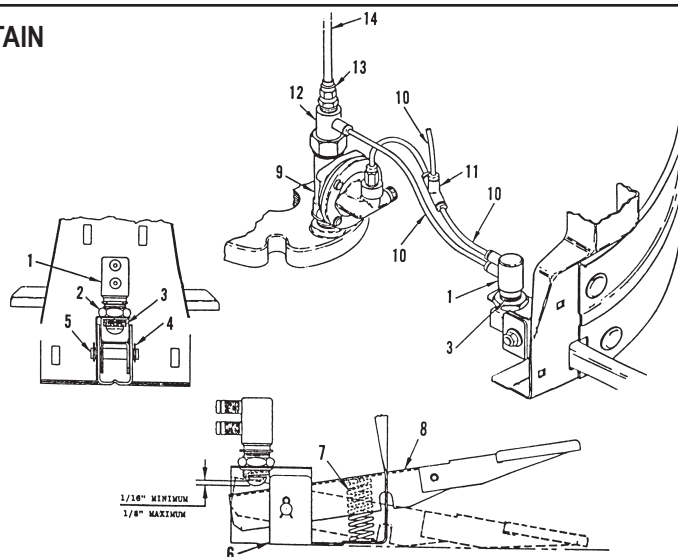




# WASHFOUNTAINS

## BRADLEY FOOT CONTROL FOR SECTIONAL FOUNTAIN

ITEM	PART #	DESCRIPTION
1	41021152	Pilot valve
2	37082290	Locknut
3	37081230	Pushbutton assembly
4	37083028	Pivot pin retainer
5	37082855	Pivot pin
6	37082138	Leg weldment - std. ht.
7	37081070	Spring
8	37081232	Foot treadle assembly
9	41021151	Metering valve
10	*	Control tubing
11	37082002	Plastic tee
12	37081998	Tailpiece assembly
13	37083204	Tube to pipe connector
14	*	Supply tube



\* Order tubing by the foot (specify size 1/8" OD, 1/4" OD)

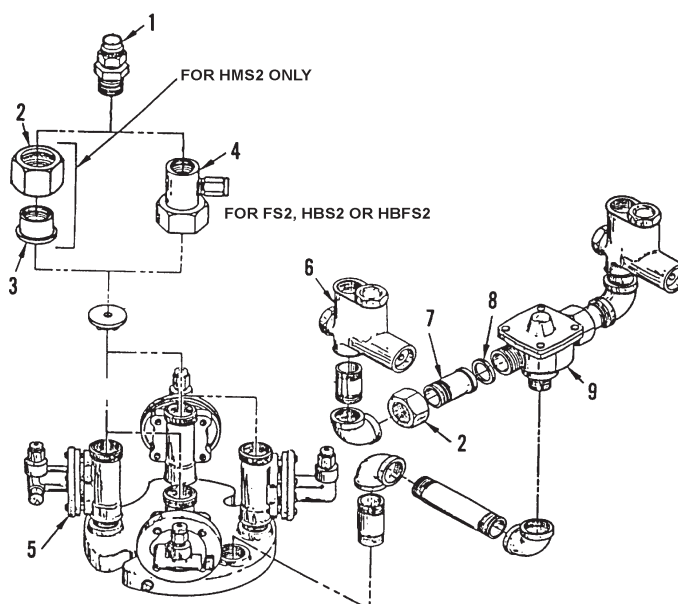
### HANDI-TAP METERED WASHFOUNTAIN VALVE REPAIR KIT PART # 41021220

ITEM #	DESCRIPTION
1	Ring clamp
2	Filter
3	Upper valve body
4	Timing cartridge
5	Retaining Screw Assembly
6	Screw
7	O-ring
8	Conical Spring
9	Tube-to-Pipe Connector

## BRADLEY VALVE MANIFOLD FOR SECTIONAL FOUNTAIN

ITEM	PART #	DESCRIPTION
1	37083204	Tube to pipe connection
2	37082268	Tailpiece nut
3	37082642	Tailpiece
4	37081998	Tailpiece assembly
5	41021151	Metering valve
6	40120103	Strainer & Check valve
7	37082640	Tailpiece
8	37082521	Washer
9	40120219	Manual mixing valve
	37081306	Thermostatic mixing valve

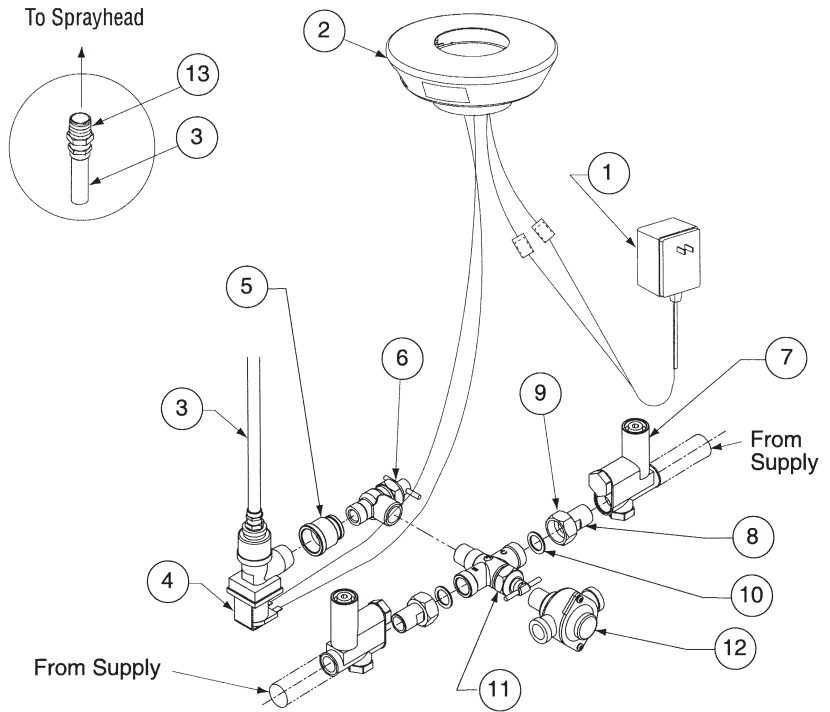
HMS2 –  
Sectional hand control semi-circular fountain (push button in spray head assembly)  
FS2 –  
Sectional foot control semi-circular fountain  
HBS2 –  
Sectional hand control semi-circular fountain (push button in back splash)  
HBFS2 –  
Sectional hand & foot control semi-circular fountain (push button in back splash)



# WASHFOUNTAINS

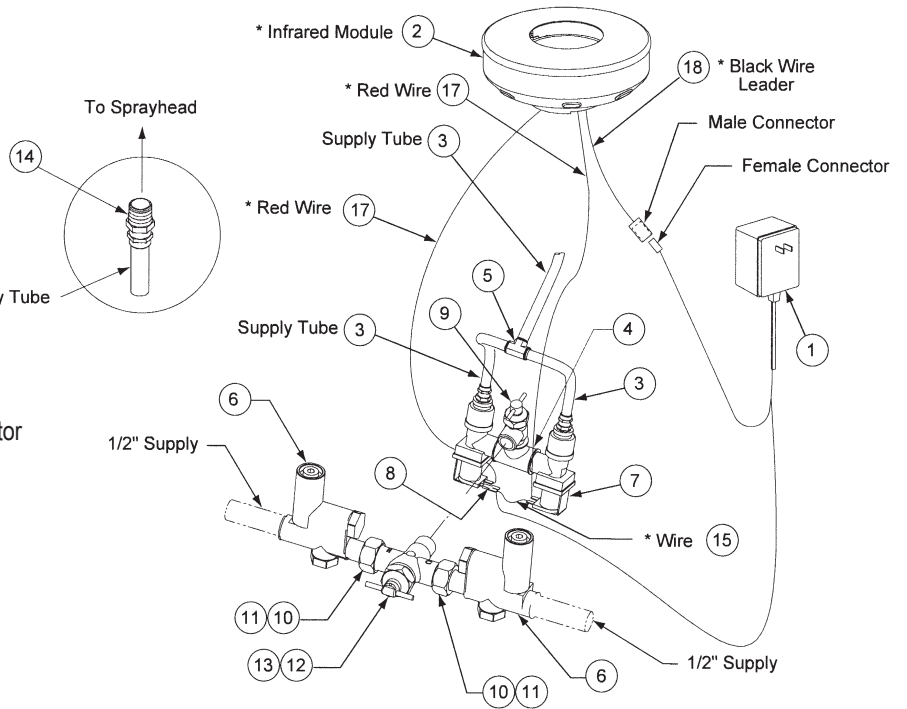
## BRADLEY INFRARED ACCUZONE VALVE ASSEMBLY – CIRCULAR & SEMI (TERRAZZO AND STAINLESS STEEL BOWLS; BRADSTONE BOWLS PRIOR TO SEPTEMBER 2003)

ITEM	PART #	DESCRIPTION
1		24 VAC Transformer (with female connectors)
2		Infrared module (circular)
2		Infrared module (semi-circular)
3	97941038	1/2" tubing to sprayhead
4	37088055	Solenoid assembly
5	37089851	Reducer
6	40120220	Volume control valve
7	40120103	Stop-strainer-check valve
8	37082640	Tailpiece
9	37082268	Tailpiece nut
10	37082521	Tailpiece washer
11	40120219	Manual mixing valve
12	37081306	TMA (optional)
13	40900058	3/8" NPT x 1/2" tube connector



## BRADLEY INFRARED ADAPTIVE VALVE ASSEMBLY – CIRCULAR (TERREON BOWLS; BRADSTONE BOWLS FROM SEPTEMBER 2003 TO PRESENT)

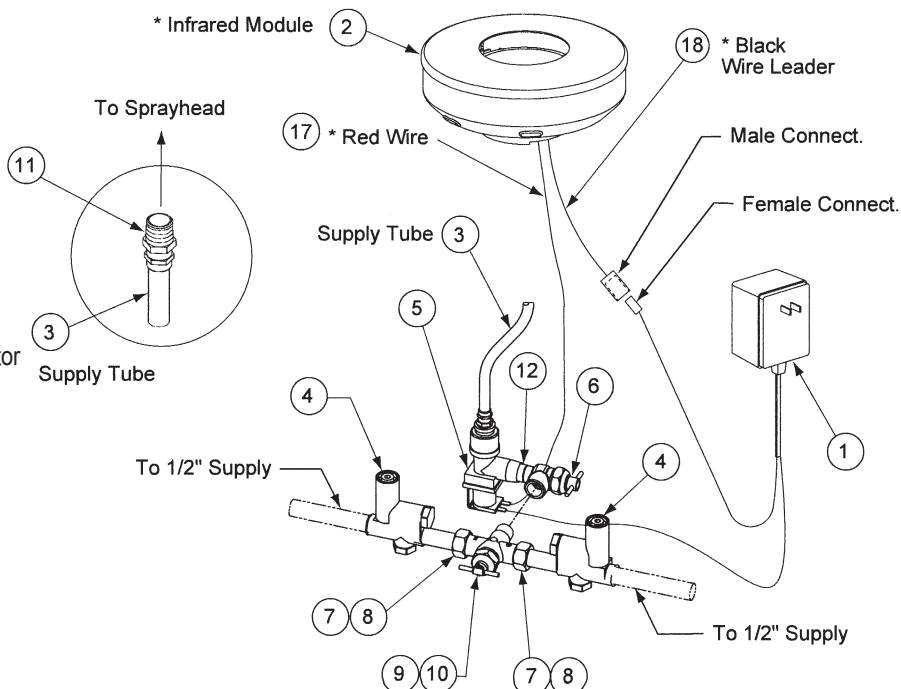
ITEM	PART #	DESCRIPTION
1		24 VAC Transformer
2		Infrared module
3	97941038	1/2" tubing to sprayhead
4		Tee
5	40900043	Tee union
6	40120103	Check valve
7	37088055	Solenoid assembly
8		Adapter
9	40120220	Volume control valve
10	37082268	Tailpiece nut
11	37082521	Tailpiece washer
12	40120219	Manual mixing valve
13	37081306	TMA (optional) – manual mixing valve shown
14	40900058	3/8" NPT x 1/2" tube connector



# WASHFOUNTAINS

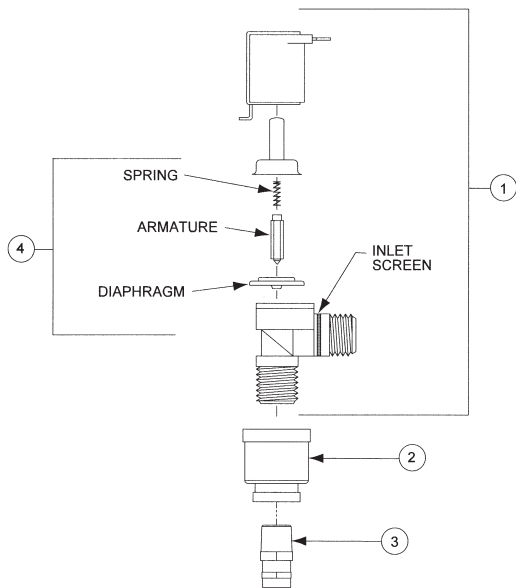
## BRADLEY INFRARED ADAPTIVE VALVE ASSEMBLY – SEMI-CIRCULAR (TERREON BOWLS; BRADSTONE BOWLS FROM SEPTEMBER 2003 TO PRESENT)

ITEM	PART #	DESCRIPTION
1		24 VAC Transformer
2		Infrared module
3	97941038	1/2" tubing to sprayhead
4	40120103	Check valve
5	37088055	Solenoid assembly
6	40120220	Volume control valve
7	37082268	Tailpiece nut
8	37082521	Tailpiece washer
9	40120219	Manual mixing valve
10	37081306	TMA (optional) – manual mixing valve shown
11	40900058	3/8" NPT x 1/2" tube connector
12		Reducing coupling, 1/2" NPT x 3/8" NPT



## BRADLEY S27-250 SOLENOID

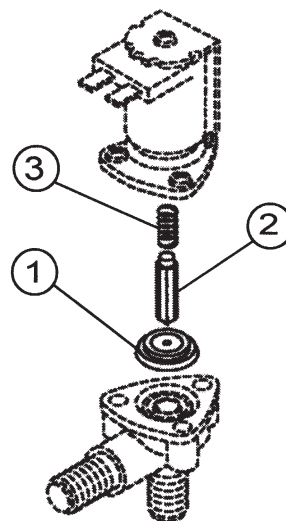
ITEM	PART #	DESCRIPTION
1		Solenoid valve
2		3/4" x 3/8" reducing coupling
3		Male connector
4	37085155	Solenoid repair kit



## BRADLEY SOLENOID REPAIR KIT (PRIOR TO MARCH 2002; SEMI-CIRCULAR ONLY) PART # 41021194

Includes the following:

ITEM	DESCRIPTION
1	Diaphragm
2	Armature
3	Spring



**TOTAL  
MAINTENANCE  
SOLUTIONS**

**HOUSTON**  
800/392-5066

**ORLANDO**  
800/327-3022

**GREENVILLE**  
800/476-2212

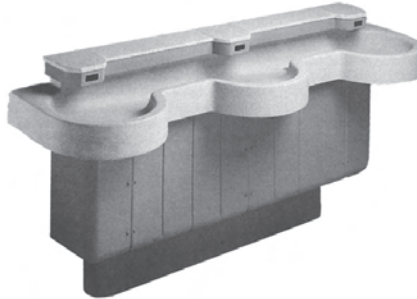
LOOK FOR US ON THE WEB AT: [www.TMSSouth.com](http://www.TMSSouth.com)

# WASHFOUNTAINS

## BRADLEY ACCUZONE SENSOR OPERATED WASHFOUNTAINS



BRADLEY SENTRY  
WITH ACCU-ZONE CONTROL



BRADLEY EXPRESS  
WITH ACCU-ZONE CONTROL



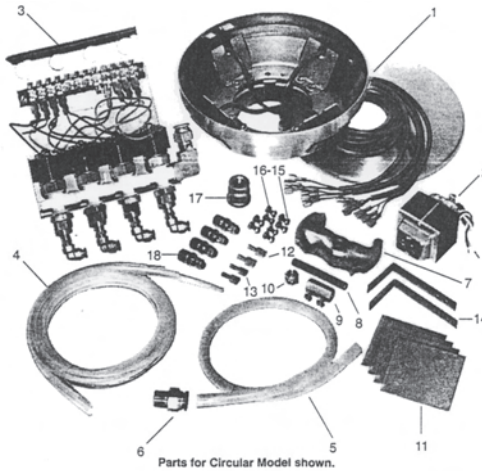
BRADLEY TERREON TRI-FOUNT  
WITH ACCU-ZONE CONTROL



### BRADLEY ACCUZONE CONVERSION KITS

PART #	DESCRIPTION
37085100	Conv. Kit 54" Circular
37085100	Conv. Kit 36" Circular
37085150	Conv. Kit Semi-Circular

**UPGRADE YOUR EXISTING  
WASHFOUNTAINS:**  
Accu-Zone conversion kits for  
older existing washfountains.



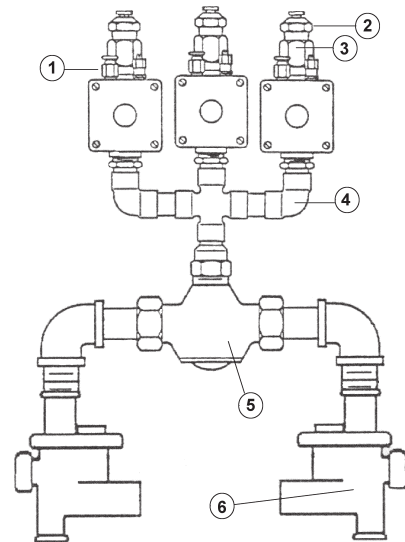
Parts for Circular Model shown.



36" AHC stainless Washfountain with  
ACCU-ZONE™ Metering Control.

### BRADLEY TERREON TRI-FOUNT VALVING ASSEMBLY REPAIR PARTS

ITEM	PART #	DESCRIPTION
1	37083160	Connector
2	37083204	Coupling
3	37085160	Connection assembly
4	37085170	Manifold assembly
5	37081306	Vernatherm
6	40120103	Comb. stop - strainer - check valve



HOUSTON  
800/392-5066

ORLANDO  
800/327-3022

GREENVILLE  
800/476-2212

LOOK FOR US ON THE WEB AT: [www.TMSSouth.com](http://www.TMSSouth.com)

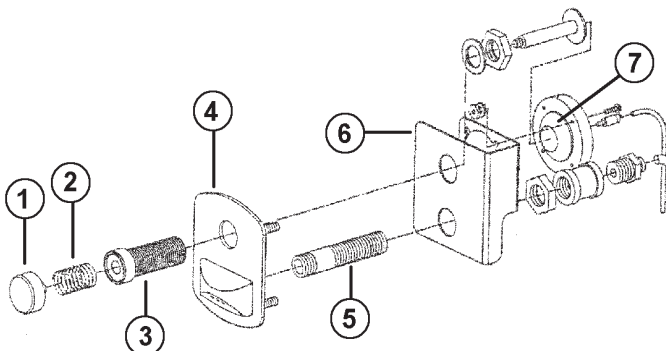


**WASHFOUNTAINS**

**BRADLEY TERREON TRI-FOUNT REPLACEMENT PARTS FOR PUSHBUTTON & ACCUZONE MODELS**

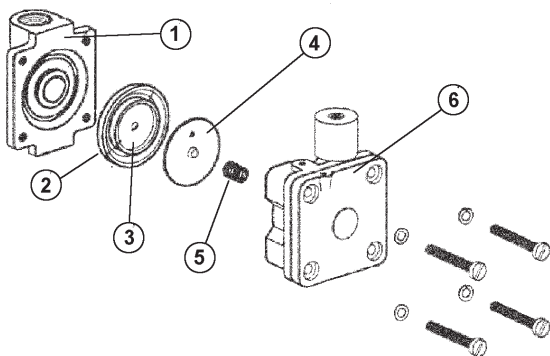
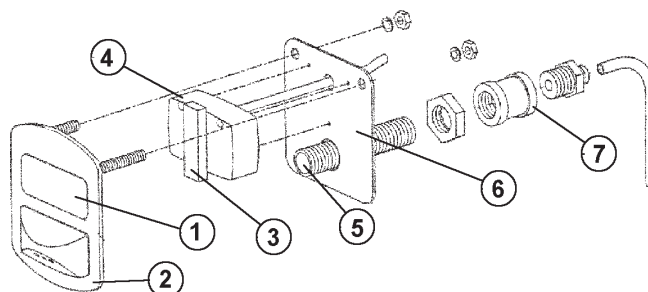
**PUSHBUTTON ASSEMBLY**

ITEM	PART #	DESCRIPTION
1	37082646	Pushbutton
2	41021108	Spring
3	37085180	Pushbutton guide
4	37085190	Escutcheon assembly
5	37085210	Nipple
6	37085220	Backplate
7	37083125	Diaphragm



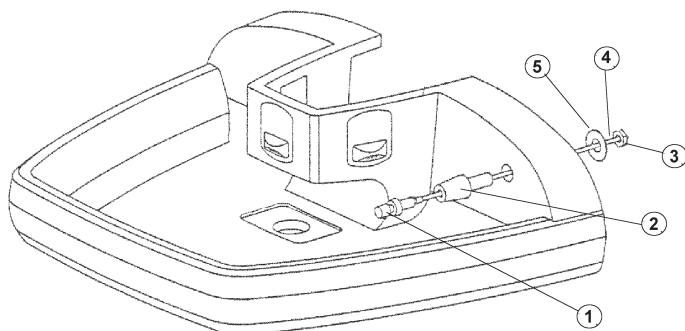
**ACCU-ZONE SENSOR ASSEMBLY**

ITEM	PART #	DESCRIPTION
1	37085240	Lens
2	37085195	Escutcheon
3	37085250	Gasket
4	37085260	Sensor
5	37085210	Nipple
6	37085225	Backplate
7	37085270	Coupling



**METERING VALVE REPAIR PARTS**

ITEM	PART #	DESCRIPTION
1	37085280	Lower valve body
2	40120100	Rubber diaphragm
3	40120230	Plastic disk
4	40120290	S/S disk
5	40120213	Spring
6	37085330	Upper valve body
*	40120099	Repair kit containing items 2 through 5



**SOAP VALVE ASSEMBLY REPAIR PARTS**

ITEM	PART #	DESCRIPTION
1	37085340	Soap valve
2	37085350	Soap body
3	37082290	Soap nut
4	37085360	Tube
5	37082779	Soap washer



**TOTAL MAINTENANCE SOLUTIONS**

**HOUSTON**  
800/392-5066

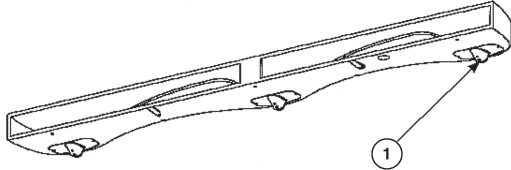
**ORLANDO**  
800/327-3022

**GREENVILLE**  
800/476-2212

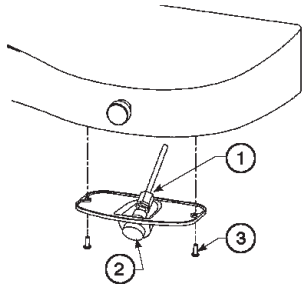
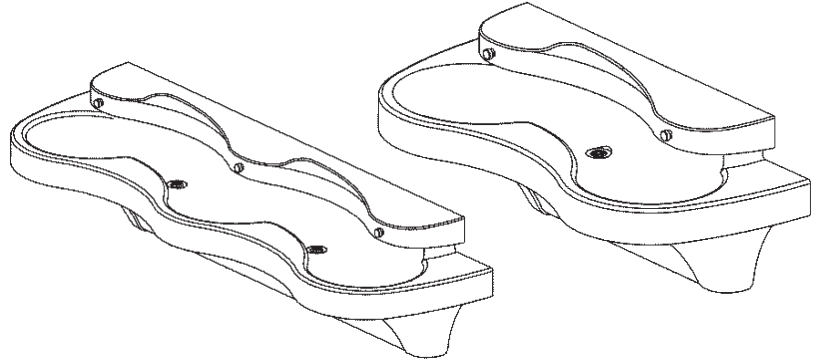
LOOK FOR US ON THE WEB AT: [www.TMSSouth.com](http://www.TMSSouth.com)

# WASHFOUNTAINS

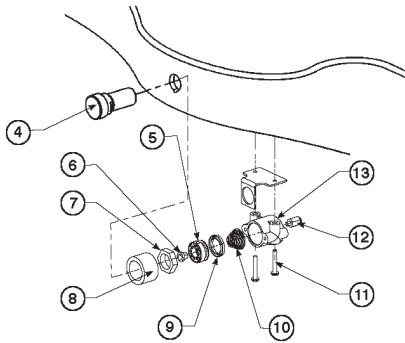
## BRADLEY MG-2/AST4 AND MG-3/AST4 EXPRESS LAVATORY SYSTEM – MG SERIES WITH PUSHBUTTON AIR VALVE



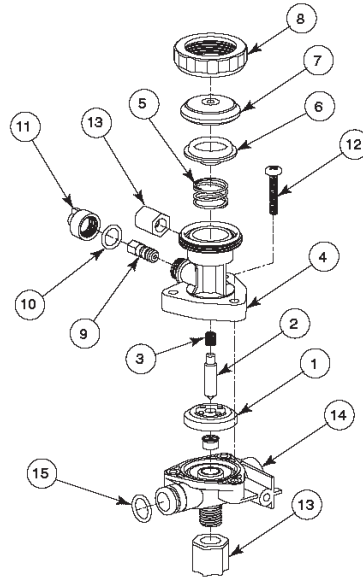
ITEM	PART #	DESCRIPTION
1	41021180	Sprayhead aerator assembly



ITEM	PART #	DESCRIPTION
1	41021181	Connector 1/4" tube
2	41021182	Housing flow control
3	40401601	Screw allen socket

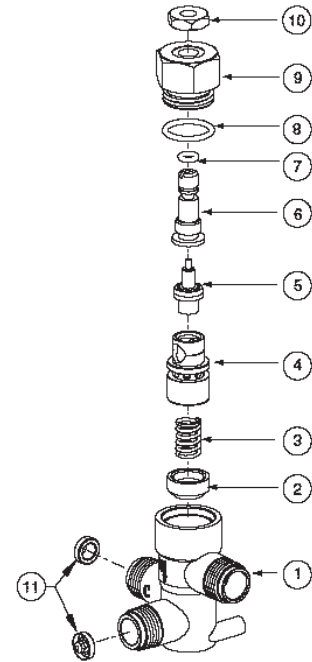


ITEM	PART #	DESCRIPTION
4	41021184	Pushbutton assembly
5	41021183	Piston
6	41021207	Duckbill
7	37082290	Nut
8		Spacer
9	41021208	U-cap
10	41021188	Spring
11		Screw (2)
12		1/8" Tube connector
13		Pushbutton housing



### METERING AIR VALVE

ITEM	PART #	DESCRIPTION
1		Diaphragm†
2		Armature†
3		Spring†
4		AST 4 Valve
5		Upper body
6		Spring
7		Magnet/Diaphragm assy.*
8		AST 4 Valve cover*
9		AST 4 Valve Clamp nut*
10		AST 4 Valve Timer assy.
11		O-ring
12		AST 4 Valve Timer Cover
13		Screw, #8 x 7/8"
14		Compression nut, 1/8" tube*
15		Compression nut, 1/4" tube
	41021185	Rebuild kit (complete) includes items 1-12
	41021186	Upper repair kit includes items marked *
	41021187	Lower repair kit includes items marked †

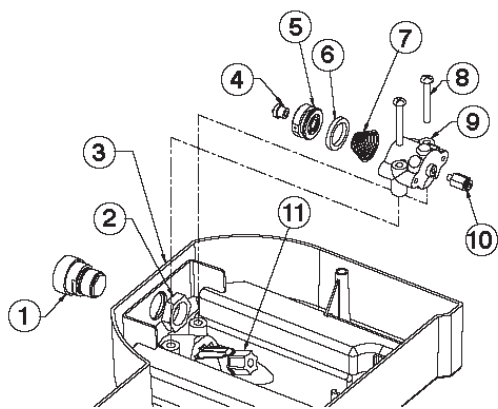
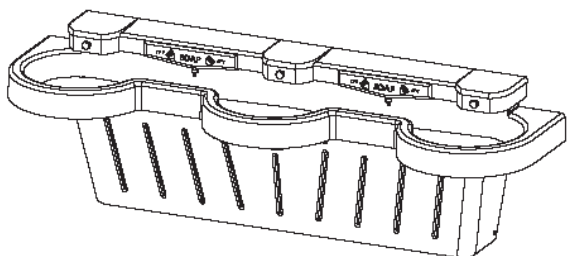
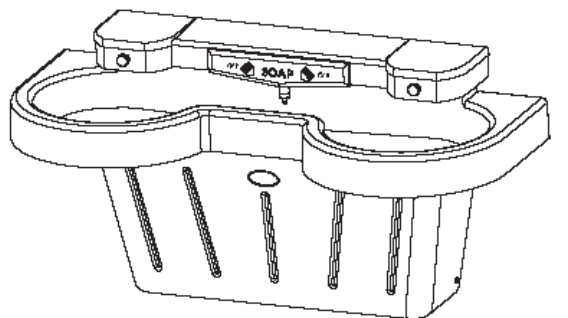


### VERNATHERM MIXING VALVE

ITEM	PART #	DESCRIPTION
1		Valve body
2		Seal cup
3		Spring
4		Piston
5		Thermostat
6		Stem
7		O-ring
8		O-ring
9		Cap
10		Hex jam nut
11	41021189	Strainer
	41021190	Repair kit includes 1 ea. of 5, 7, and 8

**WASHFOUNTAINS**

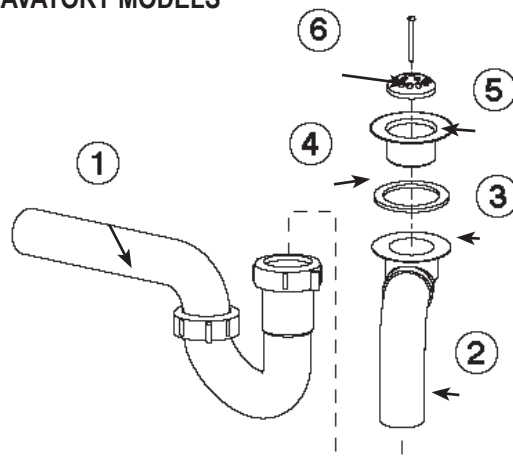
**BRADLEY SS-2N/AST/WH AND SS-3N/AST-WH EXPRESS LAVATORY SYSTEM SS-SERIES**



ITEM	PART #	DESCRIPTION
1	37088324	Pushbutton
2	37082290	Nut, 1/2"-14 NSPM
3		Bracket, SSN Pushbutton
4	41021207	Duckbill
5	41021183	Piston
6	41021208	U-cup
7	41021188	Spring
8		#8 screw
9		Actuator body
10		1/4" tube connector
11	41021196	Aerator

FOR METERING AIR VALVE AND VERNATHERM THERMOSTATIC MIXING VALVE PARTS, SEE PREVIOUS PAGE.

**DRAIN ASSEMBLY FOR ALL EXPRESS LAVATORY MODELS**



ITEM	PART #	DESCRIPTION
1		P-trap (PVC)
		P-trap (Chrome plated brass)
2		Tailpiece
3	41021197	1/8" rubber washer
4	41021209	Drain plug
5	41021198	Strainer
6	41021199	Screw

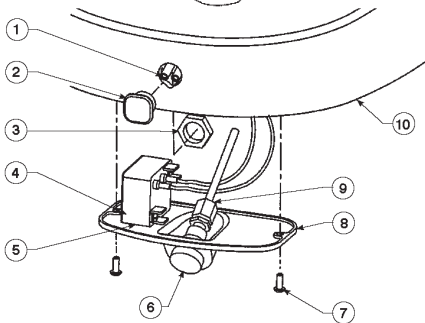
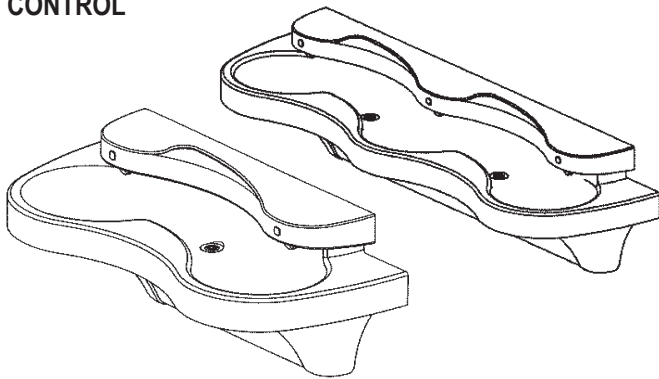
**Did You Know?**

- A dairy cow must drink four gallons of water to produce one gallon of milk. One gallon of water weights approximately 8-1/2 lbs.
- 300 million gallons of water are needed to produce a single day's supply of newsprint.

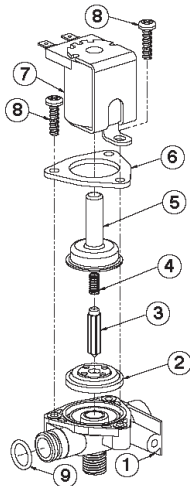


# WASHFOUNTAINS

## BRADLEY MG-2/IR AND MG-3/IR EXPRESS LAVATORY SYSTEM – MG SERIES WITH ADAPTIVE INFRARED CONTROL



ITEM	PART #	DESCRIPTION
1		Sensor eyes
2	41021200	Infrared window
3	37082290	Nut
4	41021191	Sensor
5	41021192	Velcro
6	41021182	Housing-Flow control
7	40401601	Screw allen socket
8		Access plate
9	41021181	Connector 1/4" tube
10		Sprayhead body

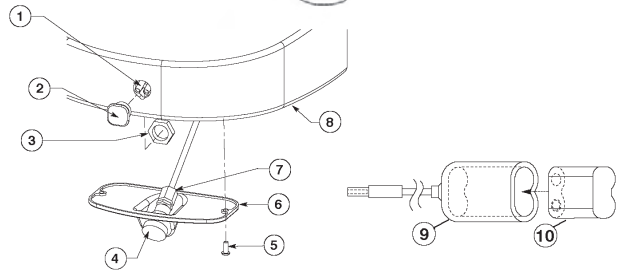
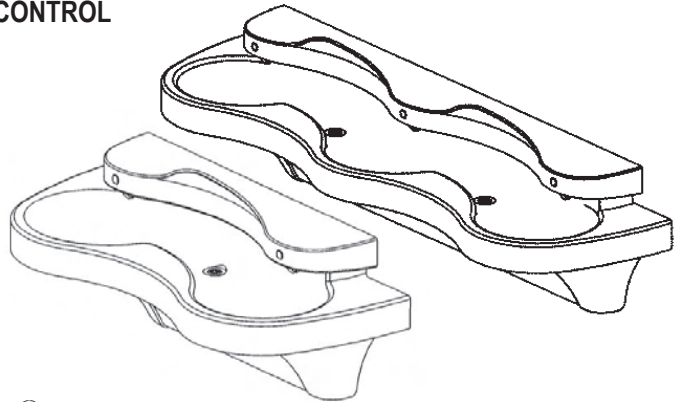


### SOLENOID VALVE MODEL S07-067 AAND S07-067A

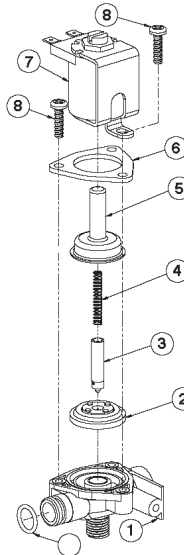
ITEM	PART #	DESCRIPTION
1		Valve body, 1/4" closed
2	41021193	Valve body, 1/4" thru
3		Diaphragm
4		Armature
5		Spring
6		Armature housing
7		Clamp, Armature housing
8		Coil, Solenoid valve
9		Screw, #8 x 5/8
	41021194	O-ring
		Repair Kit Includes 1 ea. of 2, 3, and 4

FOR VERNATHERM THERMOSTATIC MIXING VALVE PARTS BREAKDOWN, SEE PAGE 14-18

## BRADLEY MG-2/BIR AND MG-2/BIR EXPRESS LAVATORY SYSTEM – MG-2 SERIES WITH BATTERY INFRARED CONTROL



ITEM	PART #	DESCRIPTION
1	41021202	Sensor eyes, 30"
	41021203	Sensor eyes, 60"
2	41021200	Infrared window
3	37082290	Nut
4	41021182	Housing-Flow control
5	40401601	Screw allen socket
6		Access plate
7	41021181	Connector 1/4" tube
8		Sprayhead body
9	41021204	Battery holder
10	41021205	Lithium battery, 6-volt



### SOLENOID VALVE MODEL S07-072 AND S07-072A

ITEM	PART #	DESCRIPTION
1		Valve body, 1/4" closed
2	41021193	Valve body, 1/4" thru
3		Diaphragm
4		Armature
5		Spring
6		Armature housing
7		Clamp, Armature housing
8		Coil, Solenoid valve
9		Screw, #8 x 5/8
		O-ring



**TOTAL  
MAINTENANCE  
SOLUTIONS**

**HOUSTON**  
800/392-5066

**ORLANDO**  
800/327-3022

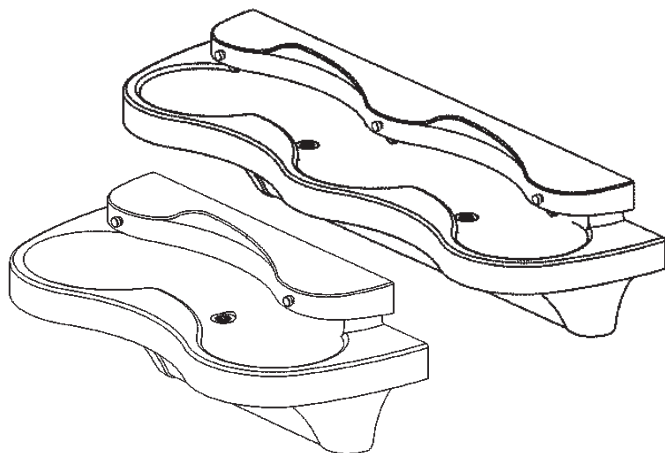
**GREENVILLE**  
800/476-2212

LOOK FOR US ON THE WEB AT: [www.TMSSouth.com](http://www.TMSSouth.com)



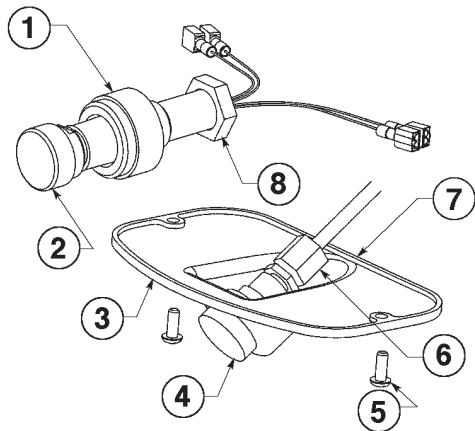
**WASHFOUNTAINS**

**BRADLEY MG-2/TT AND MG-3/TT EXPRESS LAVATORY SYSTEM – MG-SERIES WITH TOUCHTIME® CONTROL**



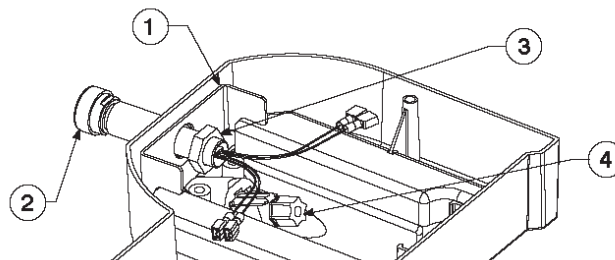
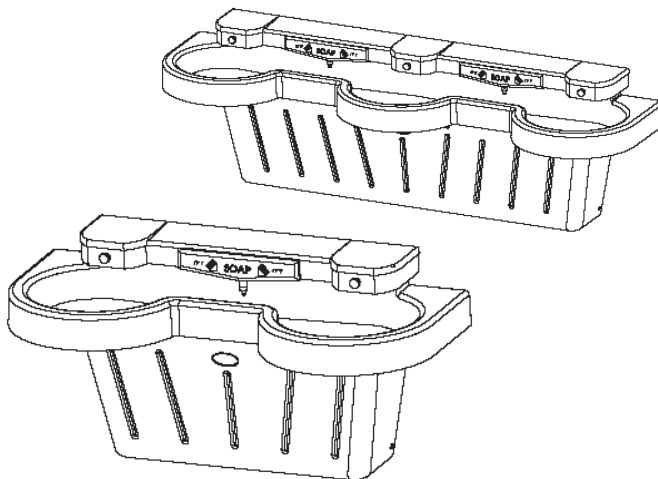
**TOUCHTIME® AND AERATOR/ACCESS PLATE ASSEMBLIES**

ITEM	PART #	DESCRIPTION
1		Spacer
2	41021206	Touchtime® switch (15-second)
3		Access plate/aerator assembly
4	41021182	Aerator/Housing-flow control
5	40401601	Screw allen socket #10-24
6	41021181	1/4" Connector
7		Access plate
8	37082290	Nut



FOR SOLENOID VALVE PARTS, SEE PREVIOUS PAGE.  
FOR VERNATHERM™ THERMOSTATIC MIXING VALVE PARTS, SEE PAGE 14-18

**BRADLEY SS-2N/TT-WH AND SS-3N/TT-WH EXPRESS LAVATORY SYSTEM SS-SERIES**



**SPRAYHEAD COMPONENTS**

ITEM	PART #	DESCRIPTION
1		Bracket, SSN Pushbutton
2	41021206	TouchTime® 15-sec. switch
3	37082290	Nut, 1/2" –14 NSPM
4	41021196	Aerator assembly

FOR SOLENOID VALVE PARTS, SEE PREVIOUS PAGE.  
FOR VERNATHERM™ THERMOSTATIC MIXING VALVE PARTS, SEE PAGE 14-18



**TOTAL  
MAINTENANCE  
SOLUTIONS**

**HOUSTON**  
800/392-5066

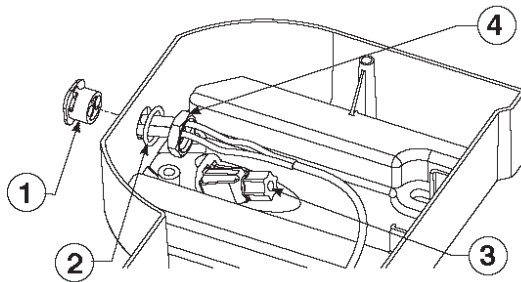
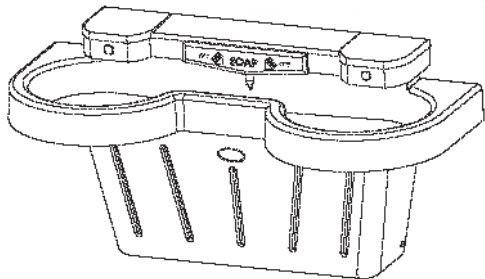
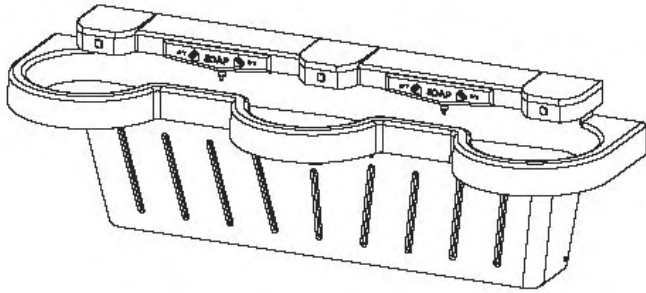
**ORLANDO**  
800/327-3022

**GREENVILLE**  
800/476-2212

LOOK FOR US ON THE WEB AT: [www.TMSSouth.com](http://www.TMSSouth.com)

# WASHFOUNTAINS

## BRADLEY SS-2N/IR/WH AND SS-3N/IR/WH EXPRESS LAVATORY SYSTEM SS-SERIES WITH ADAPTIVE INFRARED CONTROL

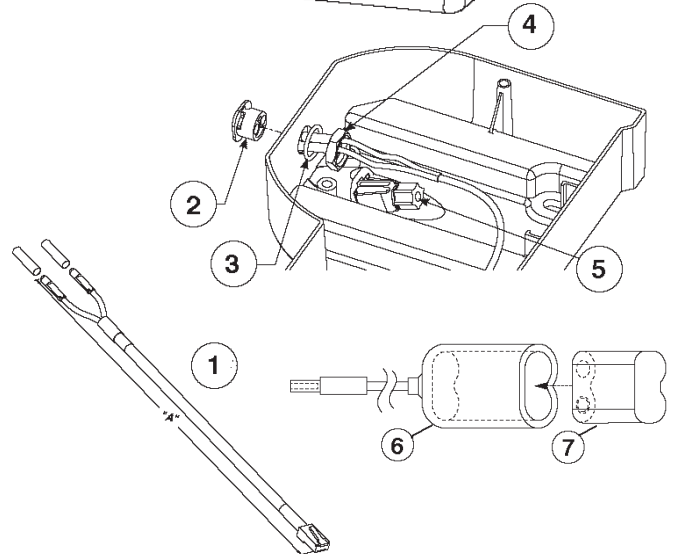
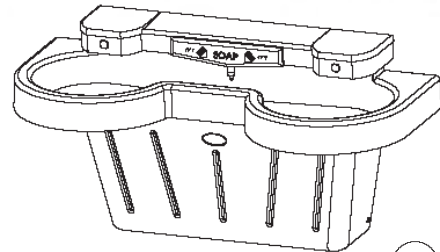
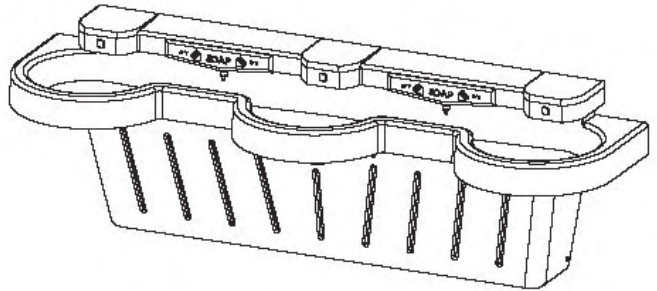


### SPRAYHEAD COMPONENTS

ITEM	PART #	DESCRIPTION
1	41021200	Window
2	41021210	O-ring
3	41021196	Aerator assembly
4	37082290	Nut, 1/2" - 14 NSPM

FOR SOLENOID VALVE PARTS, SEE 14-20.  
FOR VERNATHERM™ THERMOSTATIC MIXING VALVE PARTS, SEE PAGE 14-18

## BRADLEY SS-3N/BIR3/WH AND SS-2N/BIR3/WH EXPRESS LAVATORY SYSTEM WITH BATTERY INFRARED CONTROL



### SENSOR ASSEMBLY COMPONENTS

ITEM	PART #	DESCRIPTION
1	41021202	Sensor eyes (A length = 36")
	41021203	Sensor eyes (A length = 60")
2	41021200	Window
3	41021210	O-ring
4	41021196	Aerator assembly
5	37082290	Nut, 1/2" - 14 NSPM
6	41021204	Battery holder
7	41021205	Battery, lithium 6-volt

**WASHFOUNTAINS**

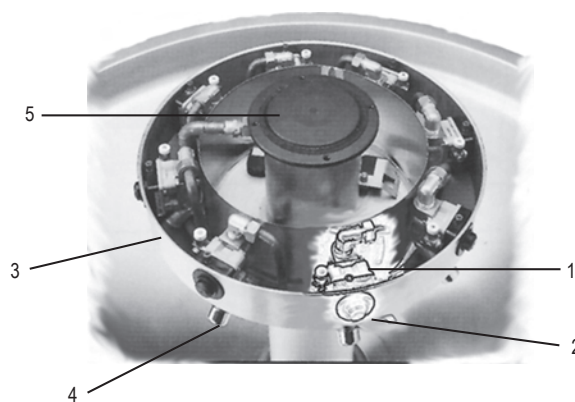
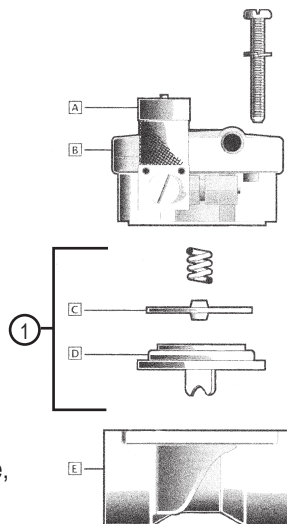


**TO ORDER COMPLETE FOUNTAINS  
CALL TMS SOUTH'S INSIDE SALES TEAM**  
 1-800-476-2212 (TAYLORS, SC)  
 1-800-327-3022 (ORLANDO, FL)  
 1-800-392-5066 (HOUSTON, TX)

**HUBBA VALVE**

- A Timer
- B Upperbody Mechanism with or without pushbutton
- C Armature disc
- D Membrane
- E Hubba Body

ITEM	PART #	DESCRIPTION
1	40120099	Huba control valve repair kit P5030
2	37301010	Pushbutton assembly
3	37301020	Spray head assembly
4	37301030	Spray nozzle
5	37301100	Plastic cap
	37301050	Huba mtr. valve complete, IH model



**SANISPRAY ELECTRONIC**

PART #	DESCRIPTION
37301030	Spray nozzle
37301110	Soap nozzle
37301120	Screen for solenoid
37301130	Individual sensor w/ leads
37301140	Collective sensor w/ leads
37301150	Solenoid valve for Ind. Sensor / Microprocessor separate battery
37301160	7.2 volt Lithium battery w/ white connector
37301170	9 volt Lithium battery with or w/out white conversion connector
37301180	10.8 volt D-Cell battery array
37301190	Sanispray Microprocessor Box



**TOTAL  
MAINTENANCE  
SOLUTIONS**

**HOUSTON**  
800/392-5066

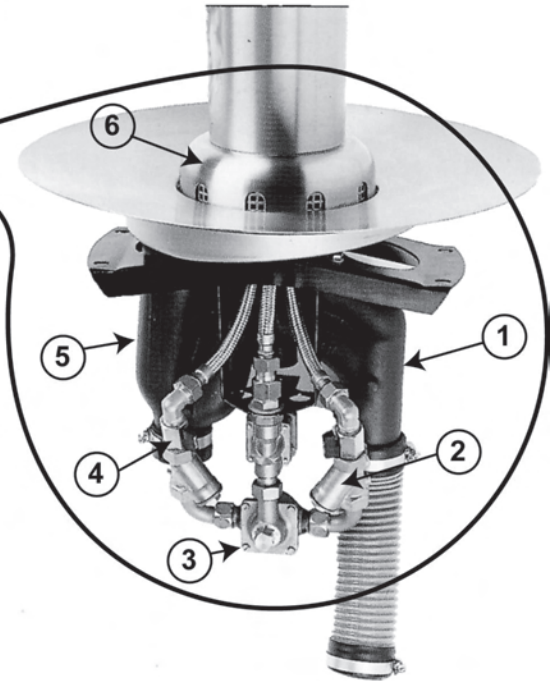
**ORLANDO**  
800/327-3022

**GREENVILLE**  
800/476-2212

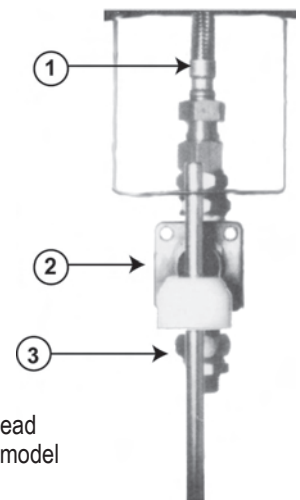
LOOK FOR US ON THE WEB AT: [www.TMSSouth.com](http://www.TMSSouth.com)

# WASHFOUNTAINS

ITEM	PART #	DESCRIPTION
1	37301200	Cast Iron 4-Way P-Trap
2	37301210	Strainer
	37301220	Strainer Screen (inside)
3	37301230	Thermostatic Mixing Valve
4	37301240	Ball Valve
5	37301250	Flexible Supply Line
	37301260	Flexible Line to Sprayhead
6	37301270	Drain Base w/ Strainer



ITEM	PART #	DESCRIPTION
1	37301280	Conical Pedestal
2	37301310	Circular Footrail
	37301320	Semi-Circular Footrail
	37301330	Corner Footrail
3	37301340	Straight Lever
4	37301350	Floor Gasket
5	37301360	Scuff Base
6		S/S Circular Bowl
		S/S Semi-Circ. Bowl
		S/S Corner Unit Bowl



ITEM	PART #	DESCRIPTION
1	37301370	Flex Line to sprayhead
2	37301380	Huba Valve for CF model
3	37301390	Plastic Treadle



**TOTAL  
MAINTENANCE  
SOLUTIONS**

**HOUSTON**  
800/392-5066

**ORLANDO**  
800/327-3022

**GREENVILLE**  
800/476-2212

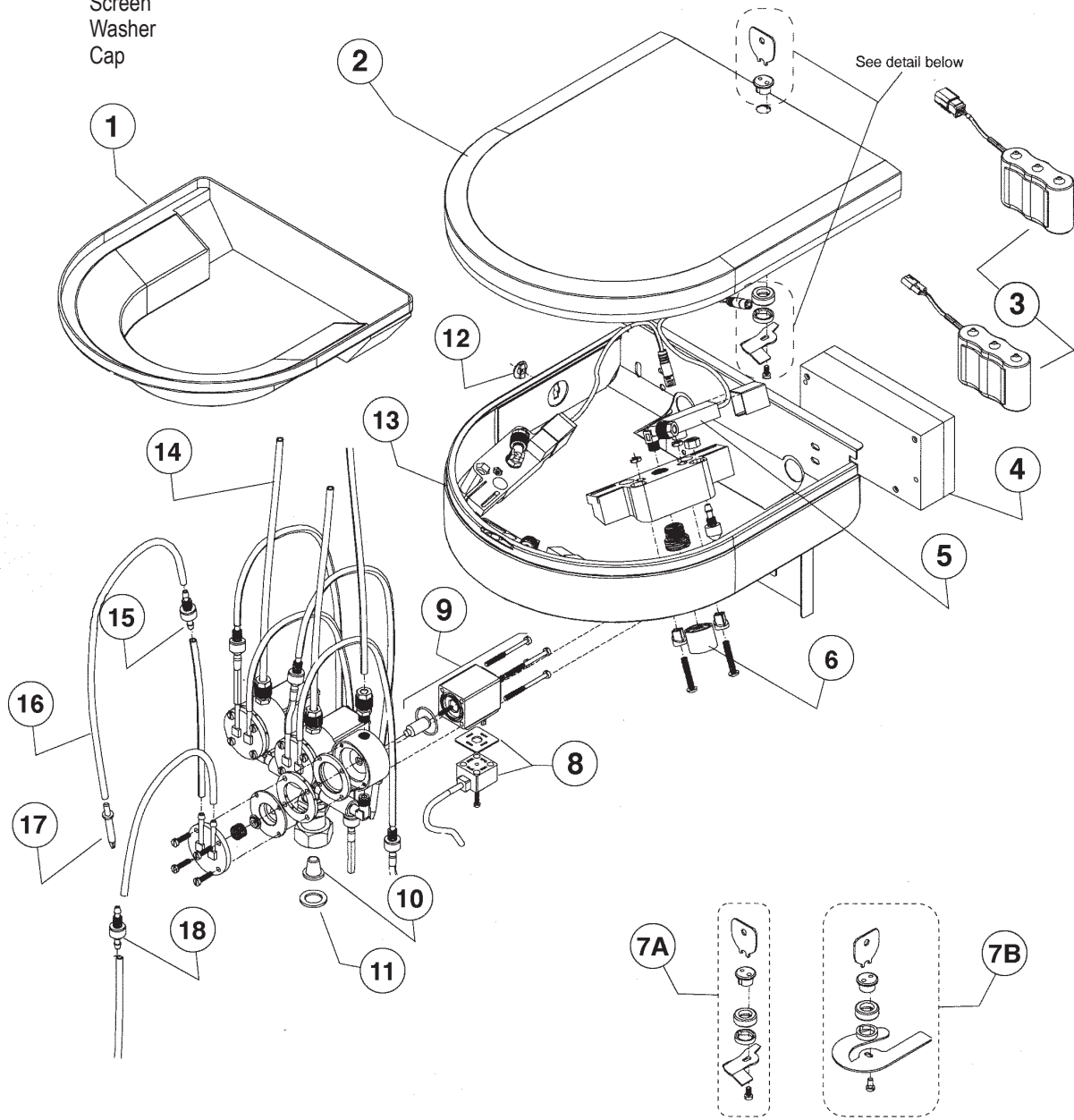
LOOK FOR US ON THE WEB AT: [www.TMSSouth.com](http://www.TMSSouth.com)



# WASHFOUNTAINS

## INTERSAN SANIFOUNT SENSOR WATER DISTRIBUTION HEAD

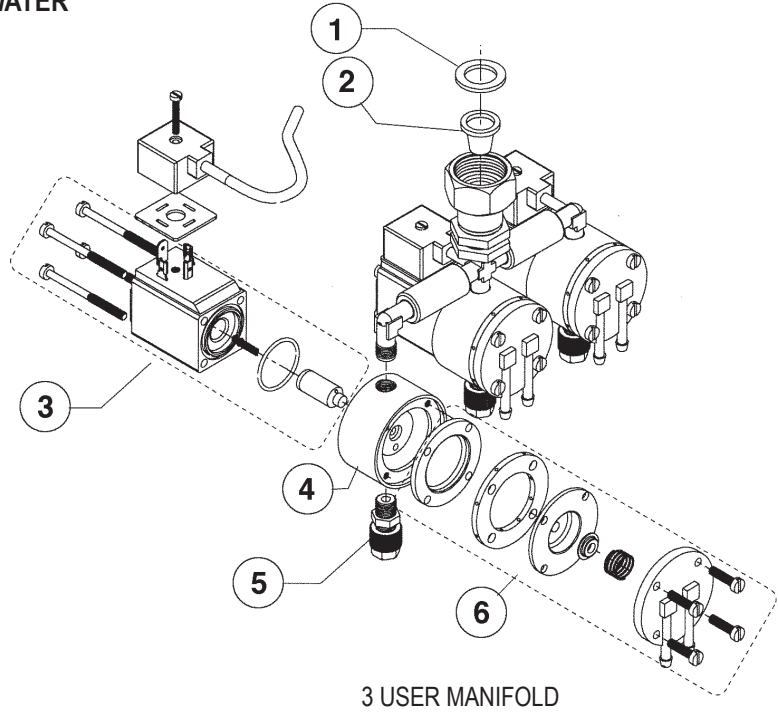
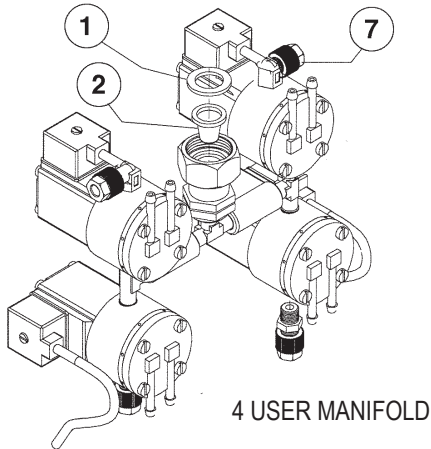
ITEM	PART #	DESCRIPTION	ITEM	PART #	DESCRIPTION
1		Soaptray	13		Shell, 2-user
2		Lid, 2 or 3-user			Shell, 3-user
		Lid, 4-user			Shell, 4-user
3	37301180	Battery (specify white or black connector)	14		Water tubing
4	40531000	Microprocessor	15		Black check valve
5	37301480	Sensor, 2 or 3-user	16		Soap tubing
	40531011	Sensor, 4-user	17		Needle
6	37301440	Nozzle	18		White check valve
7A		Lockset A			
7B		Lockset B			
8		Valve lead			
9		Valve coil			
10		Screen			
11		Washer			
12		Cap			



# WASHFOUNTAINS

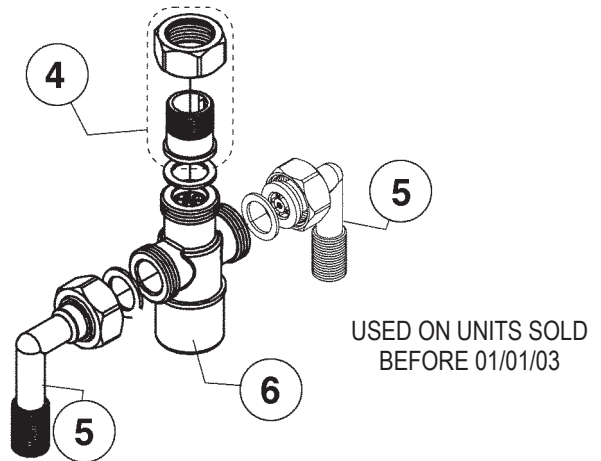
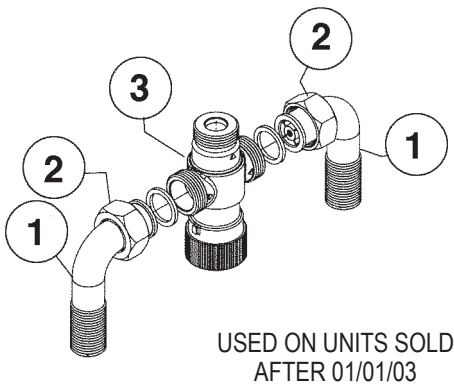
## INTERSAN SANIFOUNT MANIFOLD SENSOR - WATER DISTRIBUTION HEAD

ITEM	PART #	DESCRIPTION
1	40531013	Washer
2	37301120	Screen
3		Valve coil
4		Brass valve body
5		Nylon valve body
6	40531015	Straight coupling
7		L-union coupling



## INTERSAN SANIFOUNT TEMPERED MIXING VALVE (SANITMV-SET)

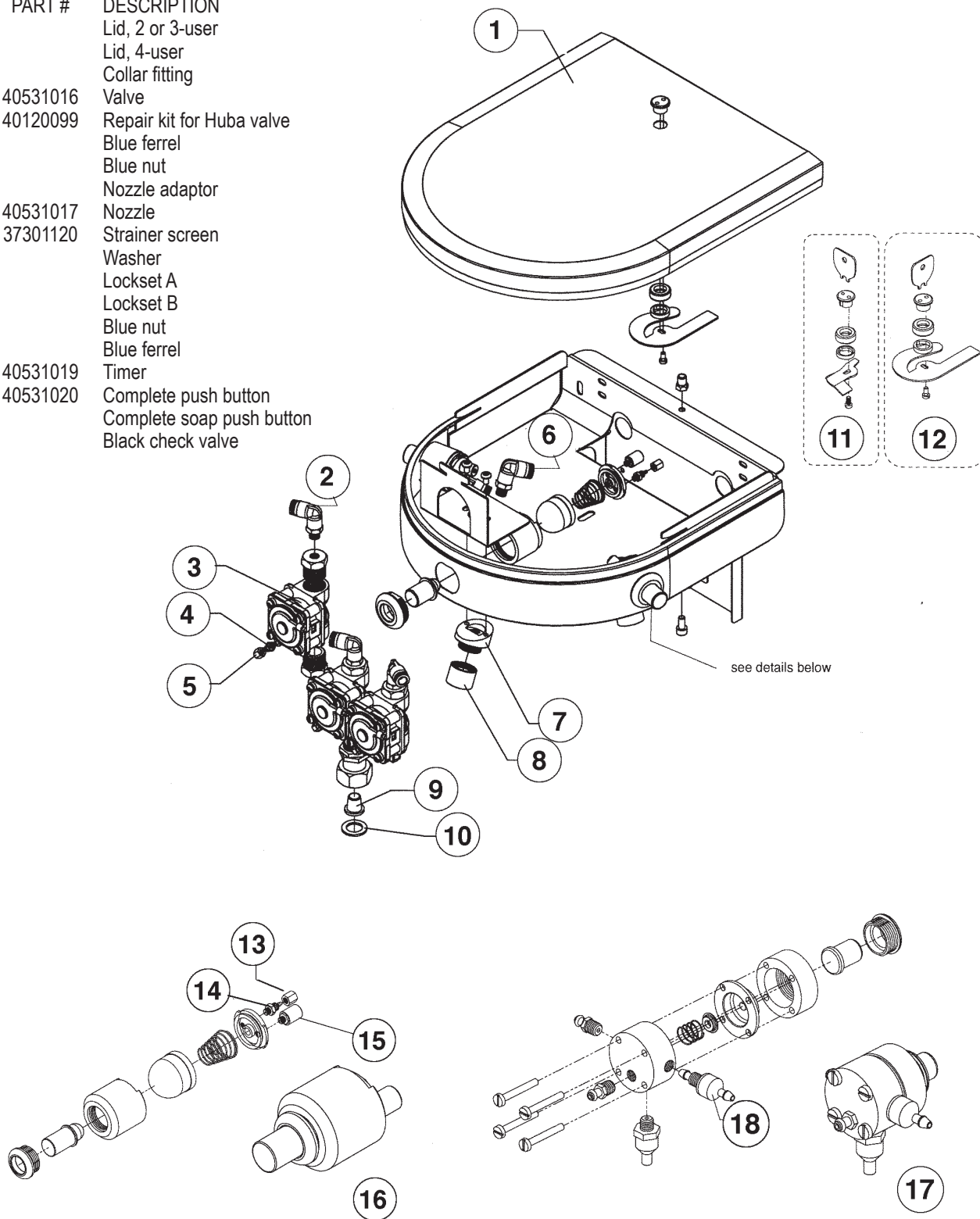
ITEM	PART #	DESCRIPTION
1		Elbow
2		Nut
3	40531010	Mixing valve
4		Connector
5		Elbow
6	40531012	Mixing valve



# WASHFOUNTAINS

## INTERSAN SANIFOUNT PUSHBUTTON WATER DISTRIBUTION HEAD

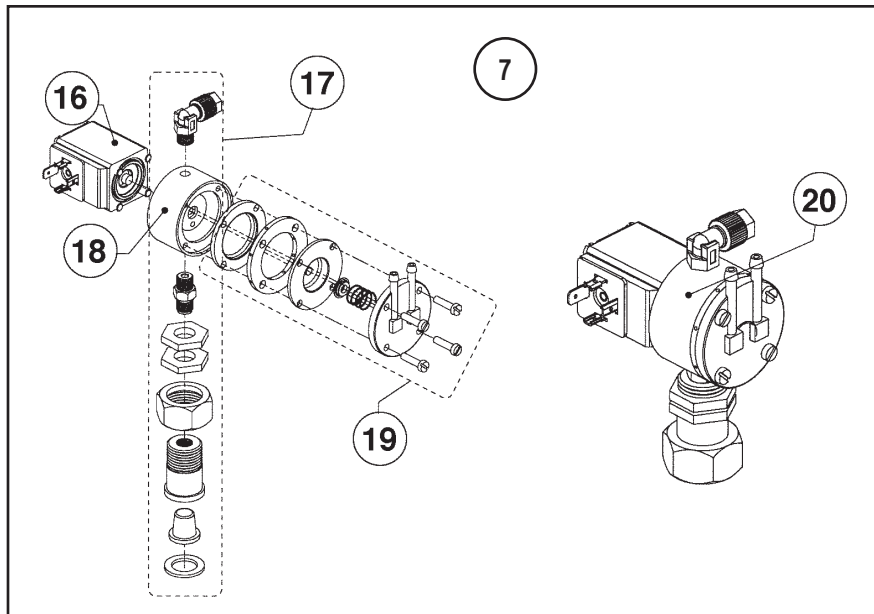
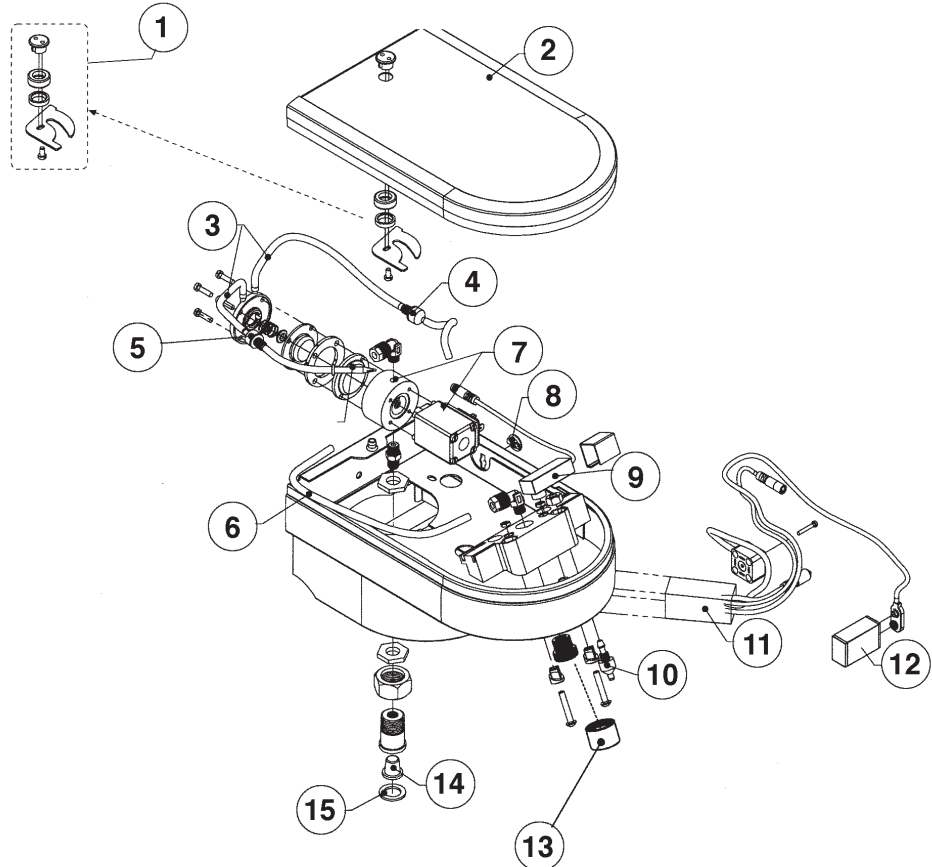
ITEM	PART #	DESCRIPTION
1		Lid, 2 or 3-user Lid, 4-user
2, 6		Collar fitting
3	40531016	Valve
	40120099	Repair kit for Huba valve
4		Blue ferrel
5		Blue nut
7		Nozzle adaptor
8	40531017	Nozzle
9	37301120	Strainer screen
10		Washer
11		Lockset A
12		Lockset B
13		Blue nut
14		Blue ferrel
15	40531019	Timer
16	40531020	Complete push button
17		Complete soap push button
18		Black check valve



# WASHFOUNTAINS

## INTERSAN SANIWAVE SENSOR WATER DISTRIBUTION HEAD

ITEM	PART #	DESCRIPTION
1		Lockwave (lock assembly)
2		Lid & lock
3		Soap tubing
4		Black check valve
5		White check valve
6		Needle
7		See Detailed drawings
8		Cap
9	40531021	Sensor
10		Soap nozzle
11	40531022	Microprocessor
12	37301170	Battery
13	40531017	Nozzle
14		Strainer
15		Washer
16		Coil
17		Valve repair kit
18		Brass valve body
19	40531015	Soap repair kit
20		Complete valve

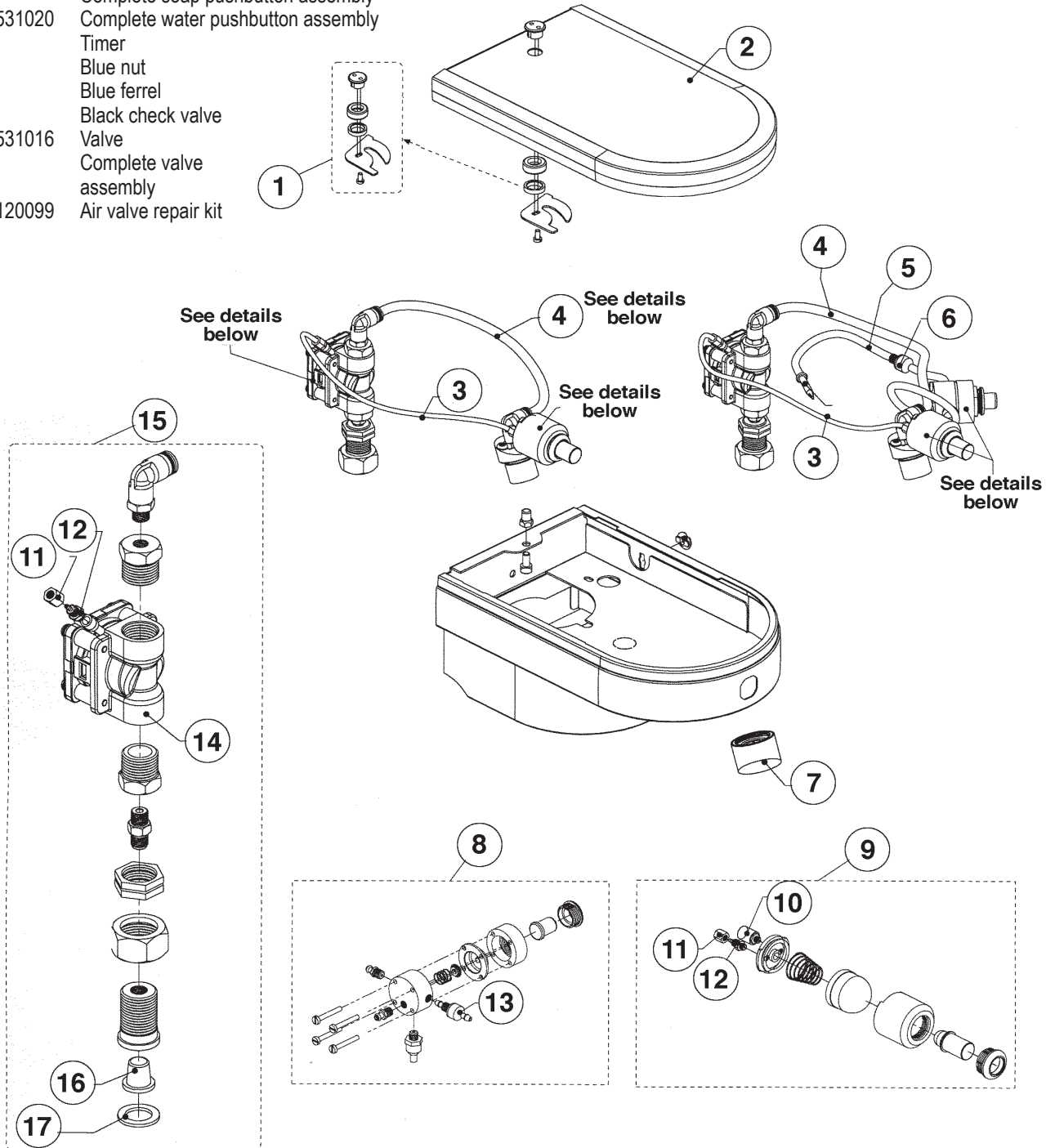




# WASHFOUNTAINS

## INTERSAN SANIWAVE PUSHBUTTON WATER DISTRIBUTION HEAD

ITEM	PART #	DESCRIPTION
1		Lockwave (lock assembly)
2		Lid and lock
3		Air tubing
4		Water tubing
5		Soap tubing
6		White check valve
7	40531017	Nozzle
8		Complete soap pushbutton assembly
9	40531020	Complete water pushbutton assembly
10		Timer
11		Blue nut
12		Blue ferrel
13		Black check valve
14	40531016	Valve
15		Complete valve assembly
	40120099	Air valve repair kit



**TOTAL  
MAINTENANCE  
SOLUTIONS**

**HOUSTON**  
800/392-5066

**ORLANDO**  
800/327-3022

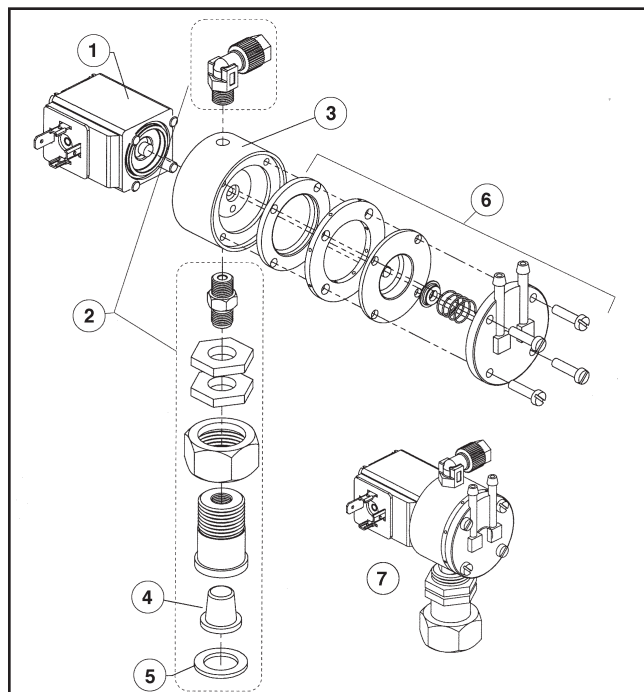
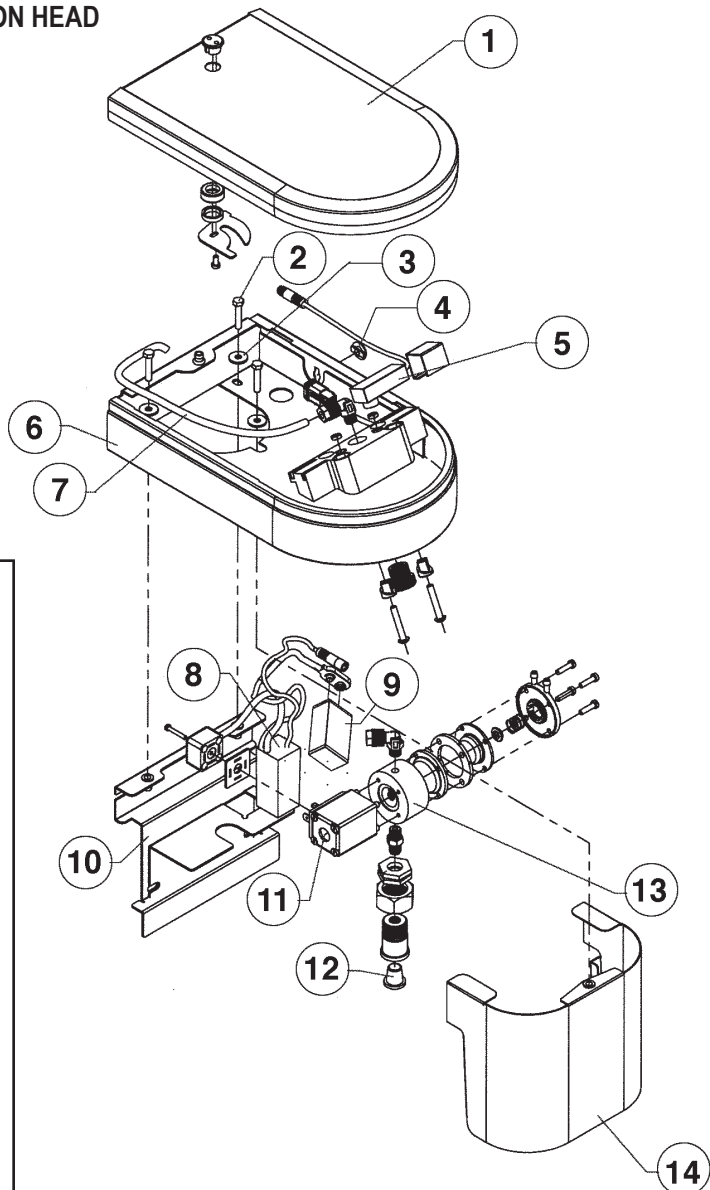
**GREENVILLE**  
800/476-2212

LOOK FOR US ON THE WEB AT: [www.TMSSouth.com](http://www.TMSSouth.com)

# WASHFOUNTAINS

## INTERSAN SOLIDWAVE SENSOR WATER DISTRIBUTION HEAD

ITEM	PART #	DESCRIPTION
1		Lid (w/o lock)
2		Screw
3		Flat washer
4		Black cover
5	40531023	Sensor
6		Shell
7		Water tube
8	40531022	Microprocessor
9	37301170	Battery
10		Back plate
11		Valve coil
12		Screen
13		Brass valve body
14		Nylon valve body
		Curved front



### SOLIDWAVE VALVE

ITEM	PART #	DESCRIPTION
1		Valve coil
2		Solidwave repair kit
3		Brass valve body
4	37301120	Screen
5	40531024	Washer
6	40531015	Soap repair kit
7		Complete Solidwave valve



**TOTAL  
MAINTENANCE  
SOLUTIONS**

**HOUSTON**  
800/392-5066

**ORLANDO**  
800/327-3022

**GREENVILLE**  
800/476-2212

LOOK FOR US ON THE WEB AT: [www.TMSSouth.com](http://www.TMSSouth.com)