

BATHROOM ACCESSORIES**SOAP DISPENSERS FROM BOBRICK**

Horizontal mount, S/S satin finish,
dispenses soap, lotions and detergents.

PART # 40500074



S/S satin finish, dispenses soaps, lotions
and detergents

PART # 40500016



Vertical mount,
S/S satin finish.
Dispenses soaps,
lotions and deter-
gents

PART #
40500075



Lavatory mounted liquid
soap dispenser with 4"
spout, 0-4" adjustable shank
plastic container with 34 oz.
capacity.

PART # 40500079

With 6" spout
PART # 40500024

Bottle only
PART # 80102909



Two tone black
and gray with
corrosion
resistant valve.
Dispenses
lotion & liquid
soap

PART #
40500112

**RETROFIT VALVE**

PART # 40500017

**SOAP DISPENSERS FROM AMERICAN SPECIALTIES****HORIZONTAL SOAP DISPENSER**

Stainless steel satin finish.

PART # 40500082

**VERTICAL SOAP DISPENSER**

Stainless steel satin
finish

PART #
40500083

**LAVATORY MOUNTED ALL PURPOSE SOAP DISPENSER**

Corrosion resistant. Spout
and stem are stainless steel
with bright finish.
Adjustable threaded shank

PART # 40500081

**SURFACE MOUNTED LIQUID SOAP DISPENSER**

Stainless steel tapered
housing with mirrored
polished finish.

PART # 80042020

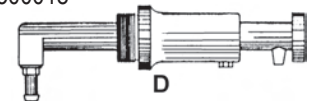
**PUSH-UP TYPE SOAP DISPENSER**

Non-corroding valve
dispenses soaps,
detergents and thin
lotions. Bracket
and valve assembly
chrome plated ABS,
piston chrome plated
brass

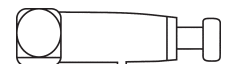
PART # 80192804

**RETROFIT SOAP VALVE**

PART # 40500018

**HORIZONTAL VALVE FOR GRAVITY SOAP SYSTEM**

PART # 80041093



**TOTAL
MAINTENANCE
SOLUTIONS**

HOUSTON
800/392-5066

ORLANDO
800/327-3022

GREENVILLE
800/476-2212

LOOK FOR US ON THE WEB AT: www.TMSSouth.com

BATHROOM ACCESSORIES**SOAP DISPENSERS FROM BRADLEY****MODEL 6542 HORIZONTAL SOAP DISPENSER**

Stainless steel. Soap valve has chrome plated brass housing with ABS plastic mechanism. ADA compliant.

PART # 80086452

**MODEL 6562 VERTICAL SOAP DISPENSER**

Stainless steel. Soap valve has chrome plated brass housing with ABS plastic mechanism. ADA compliant.

PART # 80086562

**MODEL 6324 LAVATORY MOUNTED SOAP DISPENSER**

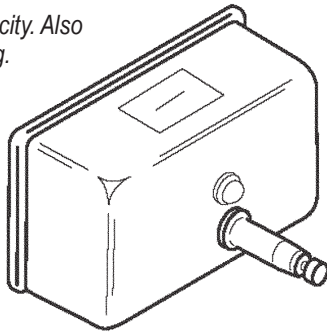
Plunger and spout made of stainless steel. 4" spout, 4-3/4" shank. ADA compliant.

PART # 80086324

**SOAP DISPENSERS FROM GAMCO****MODEL G-58AP TANK TYPE SOAP DISPENSER WITH ALL PURPOSE VALVE**

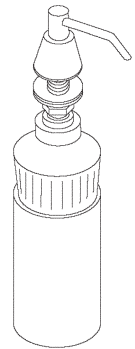
Stainless steel, 40 ounce capacity. Also available with vertical mounting.

PART # 80251010

**MODEL G-64 BASIN MOUNTED SOAP DISPENSER WITH ALL PURPOSE VALVE**

Basin mounted soap dispenser holds 32 ounces. Easily filled from top. 4" spout.

PART # 80251012

**SOAP DISPENSERS FROM COMPONENT HARDWARE GROUP****SOAP DISPENSER WITH SANIGUARD®**

Part # 40310021

SANIGUARD
By CHG

**SENSOR SOAP DISPENSER**

Does not require special soap.

Part # 40500267



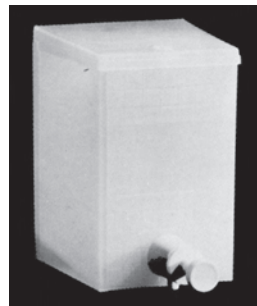
BATHROOM ACCESSORIES

BULK SOAP DISPENSERS

50 OZ. BULK NOZZLE SOAP DISPENSER

Dispenses lotion soaps and lotion grit soaps. Nozzle built into dispenser (can be removed and replaced). Dispenses light to heavy viscosity soaps plus many synthetic grit soaps.

TMS SOUTH
PART # 80401010
Replacement push
plunger valve
TMS SOUTH
PART # 80401012



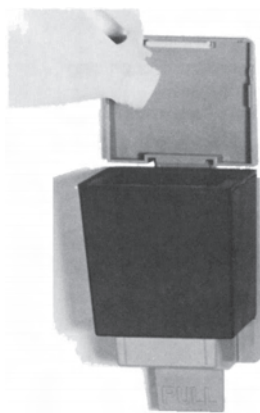
PLASTIC BULK SOAP DISPENSER

100% plastic with 30 oz. capacity. Especially good for viscous soaps.
PART # 80401020



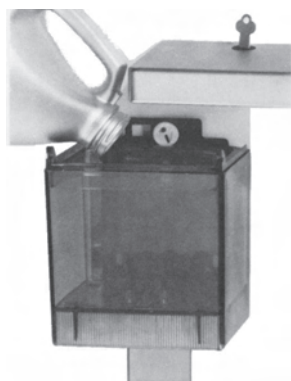
LARGE CAPACITY POWDER DISPENSER

Easy filling. Holds up to 2 lbs. powdered soap.
PART # 80401022



32 OZ. TANK SOAP DISPENSER

Excellent for bulk filling. Will not pump solvents, iodine or pumice type soaps. No metal parts are in contact with liquid.
PART # 80401016



INDUSTRIAL TANK SOAP DISPENSER

Has plastic chrome plated lid with thick, strong nylon riveted pull handle, rugged metal backplate. Holds 36 oz. with styrene plastic see-through reservoir. Will not pump solvents, iodine or pumice type soaps.
PART # 80402018

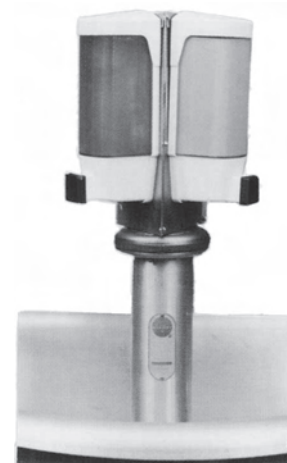
Adapter shown with 2 Depton dispensers on a semi-circular wash fountain

TRI-SIDE DISPENSER ADAPTER

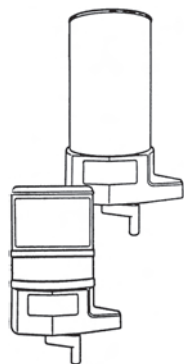
Adapts semi-circular or circular wash fountain to use bulk lotion dispensers. The nickel chrome adaptor accomodates up to three bulk dispensers.

For floor fed water supply, order PART # 80951004

For ceiling fed water supply, order PART # 80951006



DISPENSERS FOR TRI-SIDE ADAPTER



CREAM DISPENSER

For use with waterless cleaners, medicated and protective creams. Accomodates 1 gal. metal dispenser can.
TMS SOUTH PART # 80951016

LOTION DISPENSER

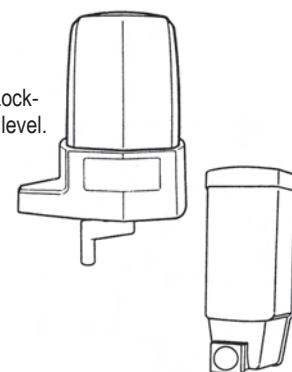
(For use with 1 gal. containers) High impact PVC construction with built-in reservoir that holds 1 liter of product.
TMS SOUTH PART # 80951012

LOTION DISPENSER - BULK

Refillable bulk dispenser with 4000 mil. capacity. Lockable lid for security. Slide window to indicate soap level. PVC construction for durability.
TMS SOUTH PART # 80951014

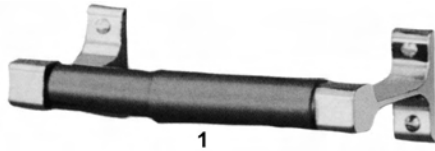
DEBTON DISPENSER

70 oz. capacity positive action push-button operation dispenser with transparent reservoir. Has follower plate for stiff gels. Not recommended for soaps with pumice.
TMS SOUTH PART # 80951010

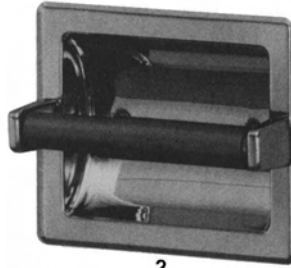


BATHROOM ACCESSORIES

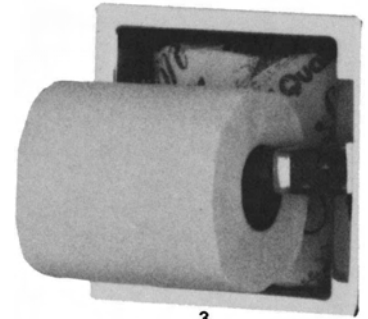
TOILET TISSUE DISPENSERS



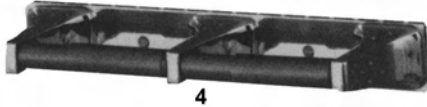
1



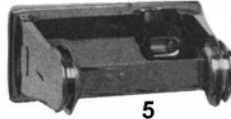
2



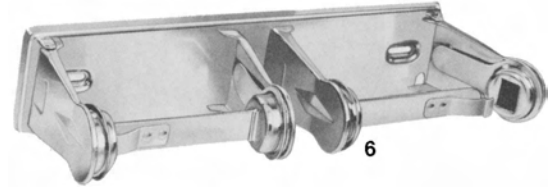
3



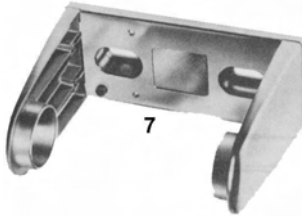
4



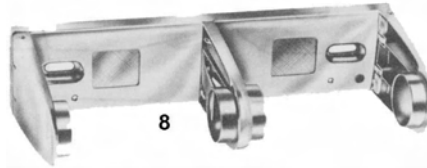
5



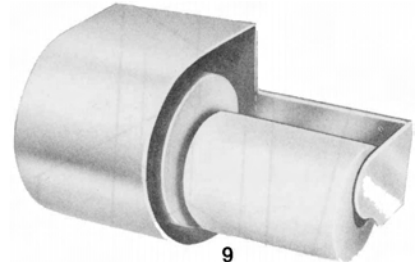
6



7



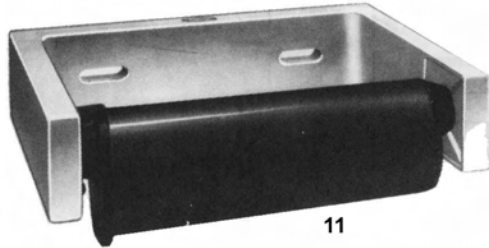
8



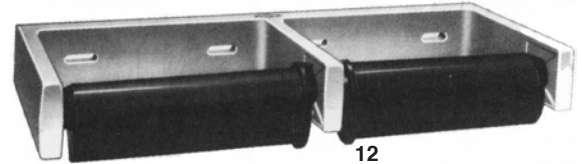
9



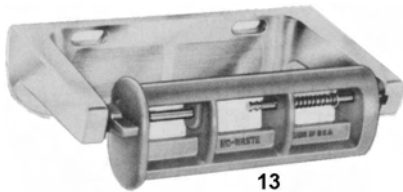
10



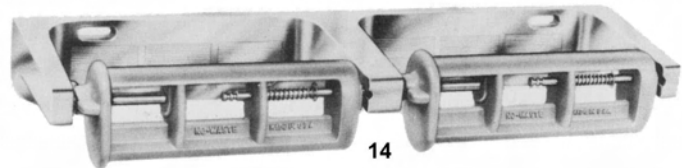
11



12

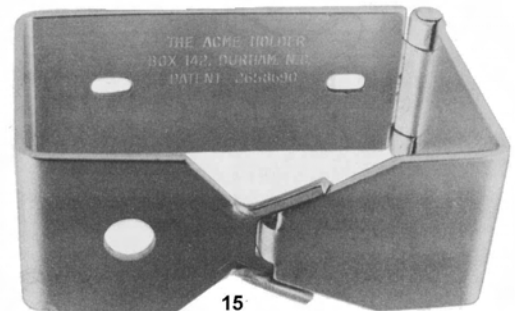


13



14

ITEM	PART #	DESCRIPTION
1	80310810	Paper holder, exposed mtng. w/plastic roller
2	80310808	Recessed paper holder, polished stainless steel
3	80310802	Recessed extra roll paper holder, chrome plated shell
4	80310804	Twin paper holder, chrome plated, plastic rollers
5	40500000	Single roll, vandal proof locking device, chrome finished
6	40500008	Double roll, vandal proof locking device, chrome finish
7	40500001	Single roll concealed hinge, chrome finish
8	40500007	Double roll, concealed hinge, chrome finish
9	80190802	Double roll, covered storage roll, hinged door lock, chrome finish
10	40500090	Double roll, surface mounted, stainless steel finish
11	40500144	Single roll, aluminum with satin finish, vandal proof spindle
12	40500111	Double roll, aluminum with satin finish, vandal proof spindle
13	40500002	Single roll, aluminum with controlled delivery
14	40500006	Double roll, aluminum with controlled delivery
15	40500089	Single roll, aluminum frame, vandal resistant



15



**TOTAL
MAINTENANCE
SOLUTIONS**

HOUSTON
800/392-5066

ORLANDO
800/327-3022

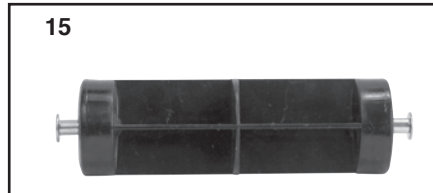
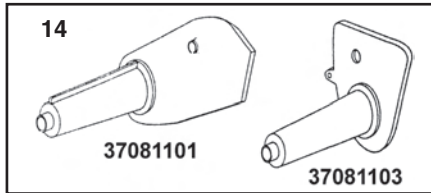
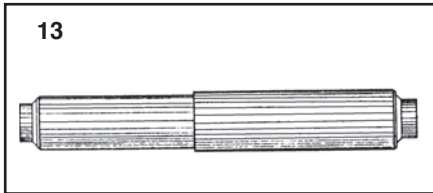
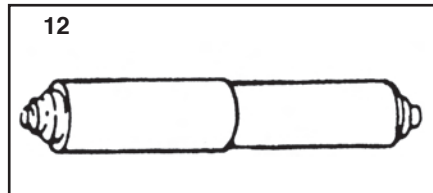
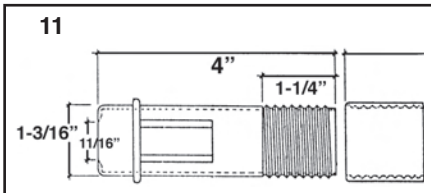
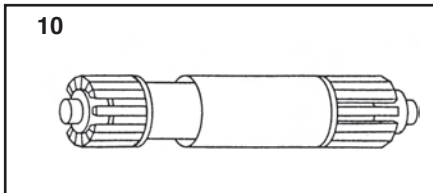
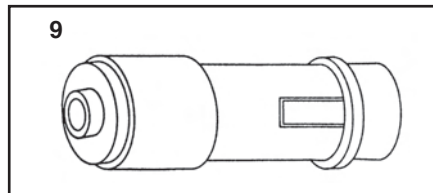
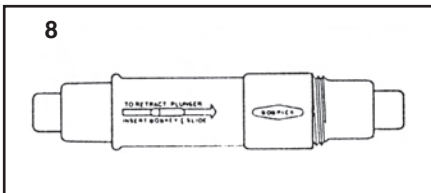
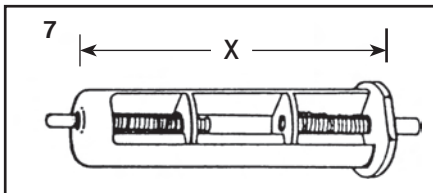
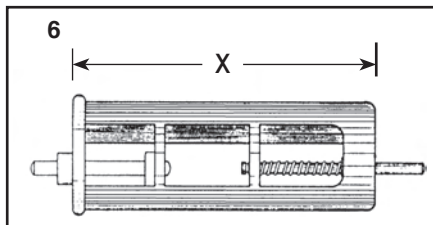
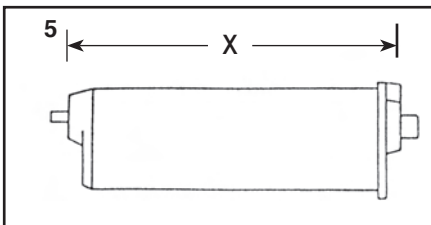
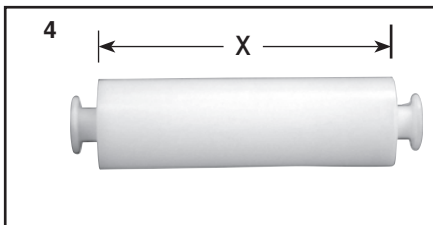
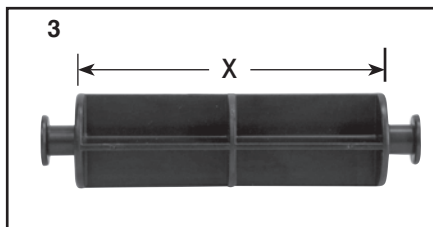
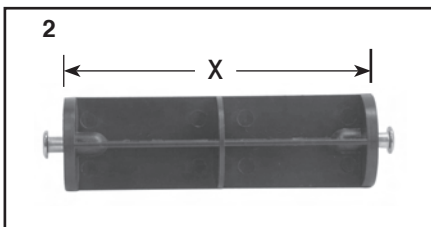
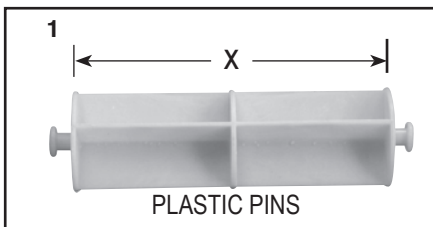
GREENVILLE
800/476-2212

LOOK FOR US ON THE WEB AT: www.TMSouth.com

BATHROOM ACCESSORIES

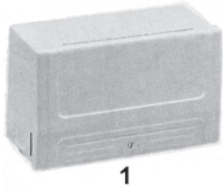
TOILET TISSUE SPINDLES

ITEM	PART #	"X"	DESCRIPTION
1	80100205	4-1/2"	Grey plastic, Bobrick B-288, 388, 386 prior to Jan 1972 Bradley 540, American Specialties – old style
2	40500020	4-3/4"	Black plastic, American Specialties, Gamco, AJ Washroom Accessories
3	40500072	4-5/8"	Black plastic, Bobrick B-288, 388, 386 after Jan 1972
4	41021167	4-1/2"	White plastic, Bradley
5	40500012	5-1/2"	Black plastic, Bradley, Bobrick
6	40500091	5-3/8"	Grey plastic, No-rotate
7	40500109	5-3/8"	Grey plastic, full rotation
8	80100204		Black plastic, Bobrick adjustable Theft-proof
9	37083420		Bradley adjustable Theft-proof
10	NLA		Bradley spindle
11	80045009		American Specialties adjustable Theft-resistant
12	40500005		Fit-All, white plastic roller
13	40500003		Grey plastic roller
	40500146		Chrome plated plastic roller
	80310204		Polished Brass plastic roller
14	NLA		Lower spindle for Bradley 5401
	37081103		Upper spindle for Bradley 5401
	37083410		Spring
	NLA		Plastic rivet
	NLA		Lock clip
15	80086050		Roller for AJ Washroom U840 dispenser



BATHROOM ACCESSORIES

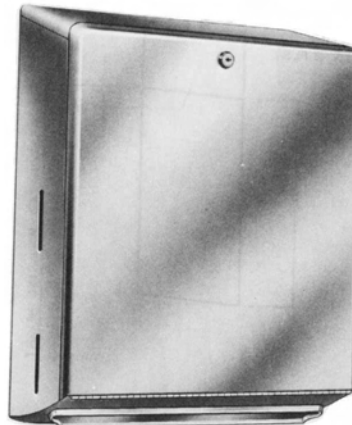
PAPER TOWEL DISPENSERS



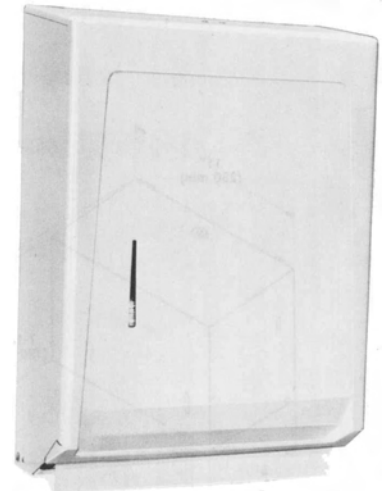
1



2



3

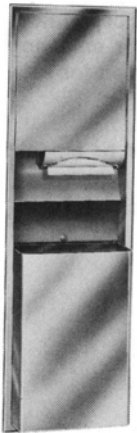


4

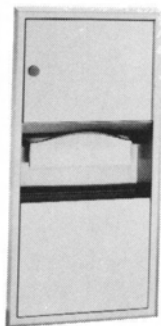
ITEM	PART #	DESCRIPTION
1	80193200	Surface mounted, chrome plated finish for single fold towels
	40500087	Surface mounted, white enamel finish for single fold towels
2	80190675	Roll towel cabinet, white enamel finish for 8" wide roll
3	40500036	Surface mounted, S/S satin finish for C-fold or multi-fold towels
4	40500125	Surface mounted, chrome plated finish for C-fold or multi-fold towels
	80193205	Surface mounted, white enamel finish for C-fold or multi-fold towels

COMBINATION UNITS

ITEM	PART #	DESCRIPTION
1	80103944	Semi-recessed S/S paper towel dispenser with waste receptical. For 4" walls. Removable 12 gallon waste receptical.
2	80105004	Recessed compact S/S towel dispenser with 2 gallon removable waste receptical.



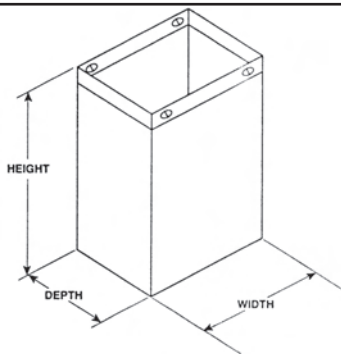
1



2

TOILET SEAT COVER DISPENSERS

PART #	DESCRIPTION
40500115	White surface mounted <i>NEAT SEAT</i> dispenser
40500086	Stainless Steel surface mounted <i>NEAT SEAT</i> dispenser
40500088	Pack of disposable liners (125 count)



REPLACEABLE VINYL LINERS

PART #	WIDTH	HEIGHT	DEPTH	APPLICATION
80105008	15"	23"	10-7/8"	Bobrick B-364, 368, 3907, 3947 – 18 gallon
80105006	15"	23"	6-7/8"	Bobrick B-367, 3644, 3645, 3900, 3941, 3944 – 12 gallon
80081004	16"	23"	12"	Bradley 234, 237, 344, 346 – 12 gallon
80081006	13-1/2"	18"	5-1/2"	Bradley 357 – 6.5 gallon
80045048	14-3/4"	21-1/2"	6-3/4"	American Specialties 0458, 0469 – 13 gallon
80045469	14-3/4"	21-1/2"	10-3/4"	American Specialties 0469BL, 0469BL – 19 gallon



**TOTAL
MAINTENANCE
SOLUTIONS**

HOUSTON
800/392-5066

ORLANDO
800/327-3022

GREENVILLE
800/476-2212

LOOK FOR US ON THE WEB AT: www.TMSSouth.com

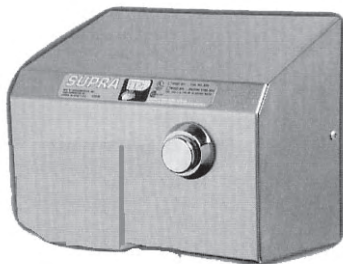
BATHROOM ACCESSORIES

ELECTRIC HAND DRYERS

"SP" SERIES – PUSH BUTTON

White polycarbonate housing, 140 CFM air flow, 130-145°F air temp at 72°F ambient. 110-120 volt, 15 amp. Drying cycle 40 sec. 5 yr. limited warranty.

PART # 80011010



"GX" SERIES AUTOMATIC

White ABS housing (available in steel with white epoxy or chrome finish). 140 CFM air flow, 130-145° air temp at 72° ambient. 110-120 volt, 12 amp.

PART # 80011020



SLOAN XCELERATOR HAND DRYER

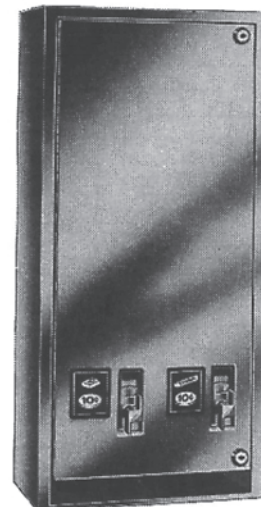
Sensor operated, ultra-fast (10 to 15 second) drying time. Heavy duty, die-cast construction. White finish. Green spec approved. 110V.

PART # 80786050



SANITARY NAPKIN-TAMPON DISPENSER

PART # DESCRIPTION
80100282 Surface mounted sanitary napkin-tampon dispenser. Capacity of 30 napkins and 27 tampons. Size: 11-1/2" W x 26" H x 6-1/2" D Set for 25 cents. Also available in "free" or 50 cents.



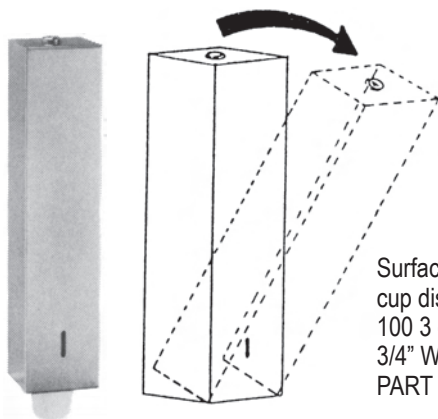
SANITARY NAPKIN DISPOSAL

PART # DESCRIPTION
40500033 Surface mounted S/S sanitary napkin disposal. Size: 8" W x 11" H x 4" D



PARTITION MOUNTED UNITS FOR TWO TOILET COMPARTMENTS ARE AVAILABLE

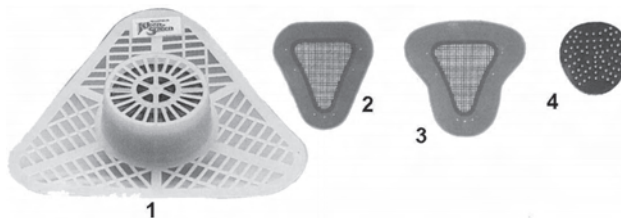
PAPER CUP DISPENSER



Surface mounted paper cup dispenser. Dispenses 100 3 oz. Cups. Size: 2-3/4" W x 14" H x 2-3/4" D. PART # 80100374

URINAL SCREENS

ITEM	PART #	DESCRIPTION
1	40211040	Urinal screen with cinnamon deodorant block
2	40211246	Urinal screen – 100% vinyl – chemical resistant 4-1/2" x 10-3/4" x 11-3/8"
3	40211042	Urinal screen – 100% vinyl chemical resistant 7" x 12-3/4" x 12-1/4"
4	40211309	Deod-o-screen with 30 day built in deodorant



**TOTAL
MAINTENANCE
SOLUTIONS**

HOUSTON
800/392-5066

ORLANDO
800/327-3022

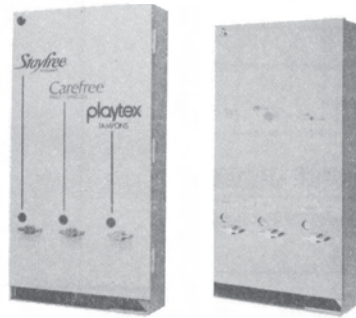
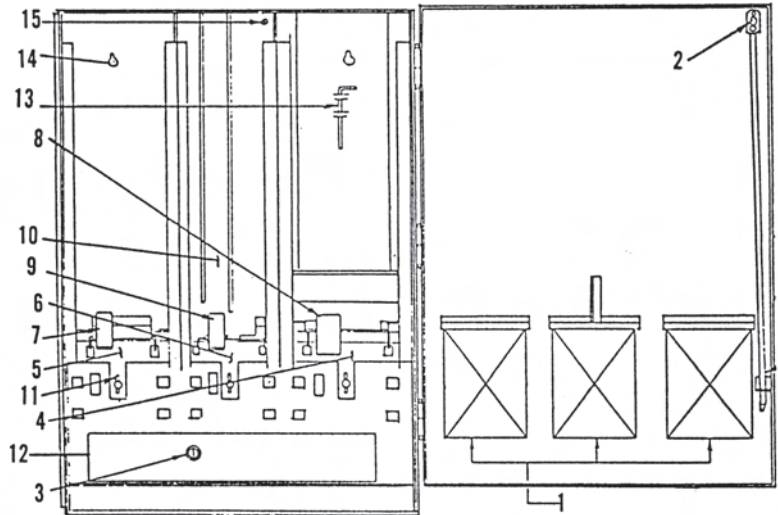
GREENVILLE
800/476-2212

LOOK FOR US ON THE WEB AT: www.TMSSouth.com

BATHROOM ACCESSORIES

ROCHESTER MIDLANDS CORPORATION J10 SERIES

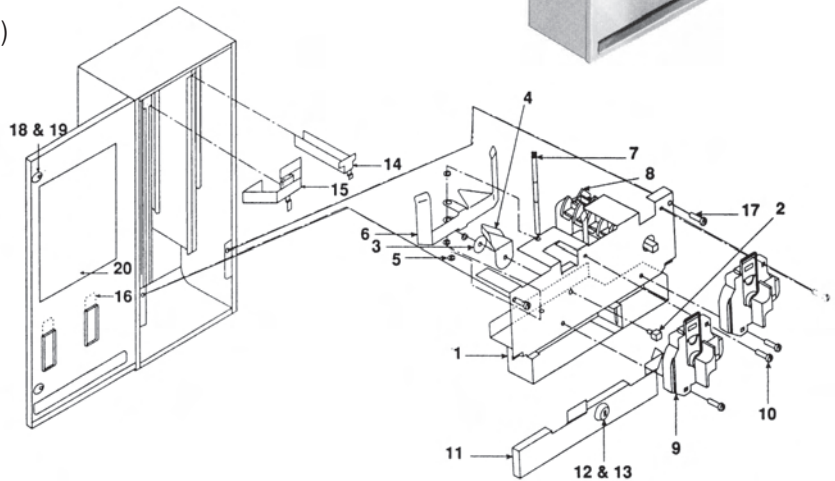
ITEM	PART #	DESCRIPTION
1	80701010	J8 coin mechanism – 25 cents
	80701012	J8 coin mechanism – 50 cents
2	37081250	Lock and locking bar
3	80701020	Coin box lock & key
4	80701026	“T” inside delivery mechanism
5	80701028	#4 Inside delivery mechanism
6	80701030	Carefree inside delivery mechanism
7	80701040	Weight - #4 napkin
8	80701042	Weight – tampon
9	80701044	Weight – carefree
10		Adapter – carefree
11		Roll pin
12		Cash box
13		Hex key
14		Vendor mounting screw
15		Adapter screw
	40500266	Key set



AMERICAN SPECIALTIES 464 (RECESSED), 864 (SURFACE MOUNT) AJ WASHROOM ACCESSORIES U527 BRADLEY 401, 4017, 4018, 426

ITEM	PART #	DESCRIPTION
1-11	80087042	Coin mtng. plate assembly – 10 cents
	80087045	Coin mtng. plate assembly – 25 cents
	80087043	Coin mtng. Plate assembly – 50 cents
2	80080517	Slave shaft (recommend item 5 also)
3	80088018	Flat washer
4	80080072	Cam
5	80088028	Retaining ring
6	80080106	Napkin paddle
7	80080107	Coin shaft (recommend item 5 also)
8	80045002	Tampon rotor
9-10	40500512	10 cent mech assembly – tampon
	40500513	25 cent mech assembly – tampon
	40500118	10 cent mech assembly – napkin
	40500147	25 cent mech assembly – napkin
10	80088051	Screw
11-13	40500120	Coin box cover w/ lock & key
14	40500121	Tampon weight
15	40500122	Napkin weight
16	80080036	10 cent label
	80080037	25 cent label
	80080038	50 cent label
17	80088055	Screw
18-19	80041086	Lock & key

BRADLEY	
37081105	Door key
37081208	Coin box key
ASI	
80041046	Coinbox key
40500100	Door key



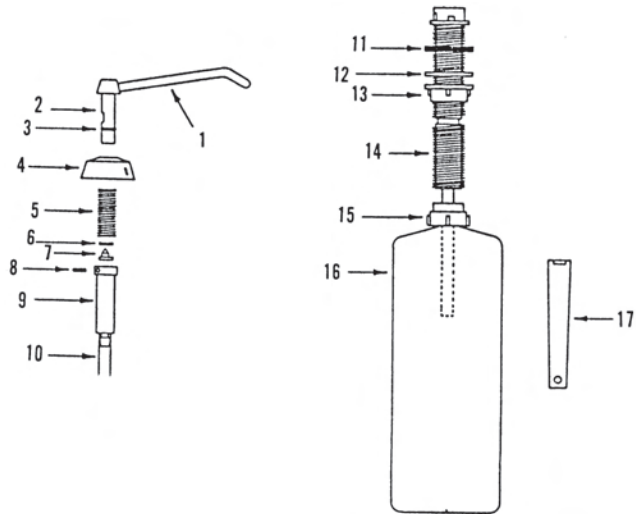
HOUSTON 800/392-5066 **ORLANDO** 800/327-3022 **GREENVILLE** 800/476-2212

LOOK FOR US ON THE WEB AT: www.TMSSouth.com

BATHROOM ACCESSORIES

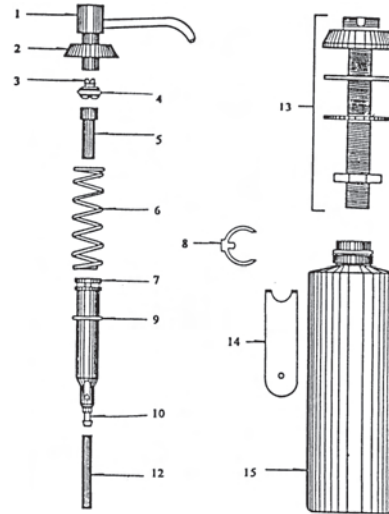
AJ WASHROOM ACCESSORIES MODEL U128

ITEM	PART #	DESCRIPTION
1		Spout only - 4"
2		Piston and spout assembly
3	40950045	Piston o-ring
4		Flange collar
5		Piston spring
6		Neoprene washer
7		Check valve
8		Locking pin
9		Piston cylinder
1-9	80012800	Liquid piston assembly
10	80012810	Supply tube
11		Rubber gasket
12		Shank washer
13		Shank nut
14		Shank assembly
15	80012815	Globe collar
16	80012816	Globe
17	80012817	Service wrench

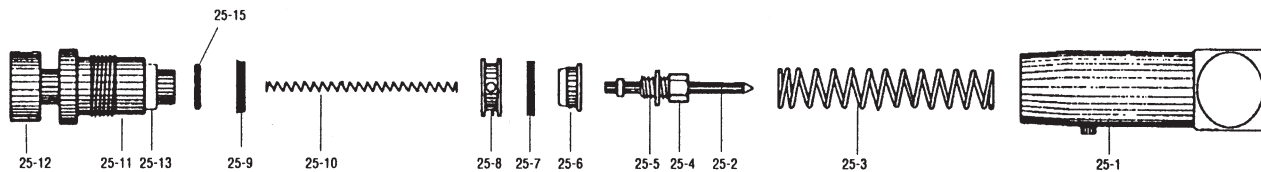


PARTS FOR AMERICAN SPECIALTIES (29/0328) LIQUID

ITEM	PART #	DESCRIPTION
1	40500124	Piston and spout (4" spout)
2	80041052	Collar
3	80041034	Nut with check
4	40950021	O-ring
5	80041042	Spacer
6	80041032	Spring
7	80041070	Cylinder
8	80041068	Lock ring
9	40950041	O-ring
10	40500137	Check valve
11	80041040	Pump assembly w/ 4" spout (items 1 - 10)
12	80041056	Supply tube
13	40500139	Basin shank housing assembly
14	40500132	Wrench
15	80041064	Poly globe



PARTS FOR AMERICAN SPECIALTIES (0353/25) LIQUID VALVE



ITEM	PART #	DESCRIPTION
25-1		Body
25-2	80040252	Pin
25-3	80040253	Main spring
25-4	80040254	Screw
25-5	80040255	Screw washer
25-6	80040256	Seat bushing
25-7	80040257	Seat washer

ITEM	PART #	DESCRIPTION
25-8	80040258	Main bushing
25-9	80040259	Piston washer
25-10	80042510	Piston spring
25-11	80042511	Piston nut
25-12	80042512	Piston
25-13	80042513	Bushing
25-15	80042515	O-ring
25-26		Complete piston assembly w/ springs



HOUSTON
800/392-5066

ORLANDO
800/327-3022

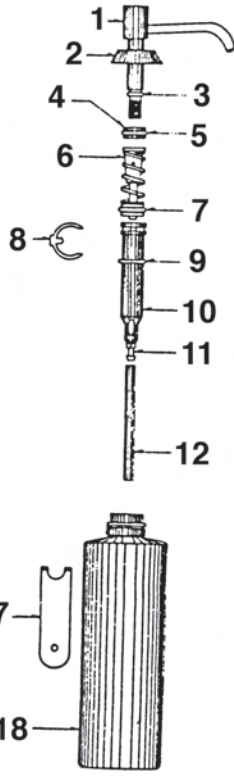
GREENVILLE
800/476-2212

LOOK FOR US ON THE WEB AT: www.TMSSouth.com

BATHROOM ACCESSORIES

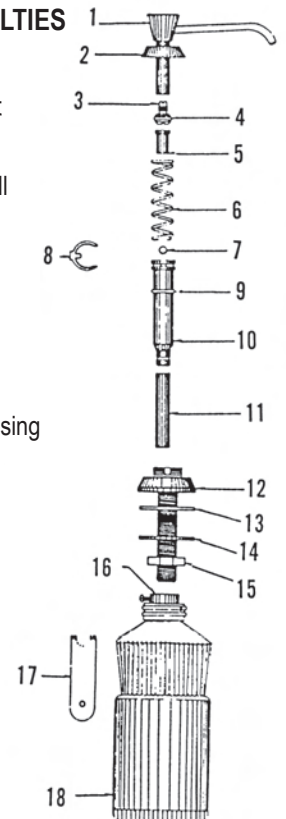
PARTS FOR AMERICAN SPECIALTIES (0329/28) LATHER

ITEM	PART #	DESCRIPTION
1	80042817	Piston and spout assembly - 4"
2	80041052	Collar
3	40950019	O-ring
4	80042866	O-ring holder
5	40950021	O-ring
6	80042835	Rear valve assembly
7	40950021	O-ring
8	80041068	Lock ring
9	40950041	O-ring
10	80041070	Cylinder
11	80041014	Check valve
12	80041056	Supply tube
13-16	80041080	Basin shank housing assembly
14		Gasket
15	40800529	Washer
16		Nut
17	40500132	Wrench
18	80041064	Poly globe



PARTS FOR AMERICAN SPECIALTIES (0330/19) ALL PURPOSE

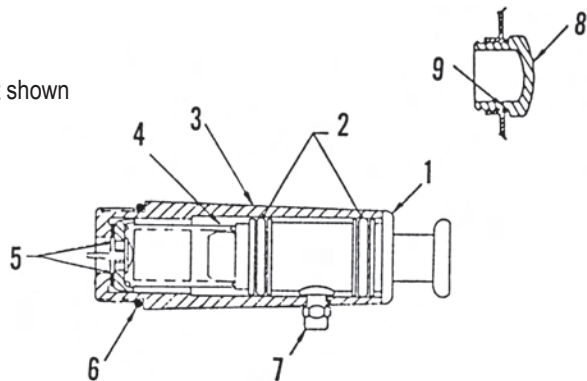
ITEM	PART #	DESCRIPTION
1	80041947	Piston and spout assembly - 4"
2	80041052	Collar
3	80041909	Steel nut and ball
4	40950021	O-ring
5	80041969	Spacer
6	80041908	Spring
7	80041951	Ball
8	80041068	Lock ring
9	40950041	O-ring
10	80041974	Cylinder
11	80041928	Supply tube
12-15	80041975	Basin shank housing assembly
13		Gasket
14	40800529	Washer
15	40500225	Nut
16	40500119	Globe adapter
17	40500132	Wrench
18	80001060	Globe



PARTS FOR BOBRICK 111-79 ALL PURPOSE VALVE

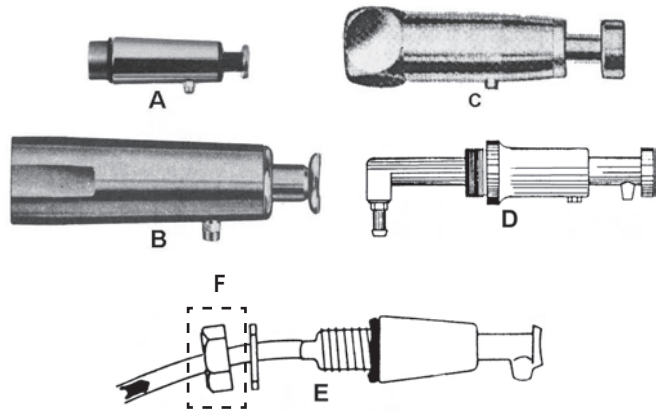
ITEM	PART #	DESCRIPTION
1	NLA	Piston & guide assembly
2	40950035	O-ring for piston
3	80103008	Cylinder
4	80103012	Spring
5	80101126	Valve assembly & washer
6	40950027	O-ring
7	NLA	Spout
1-7	40500017	Complete valve
8	80102902	Polycarbonate window with o-ring
9	40950027	O-ring
*	80102905	Collar nut

* Not shown



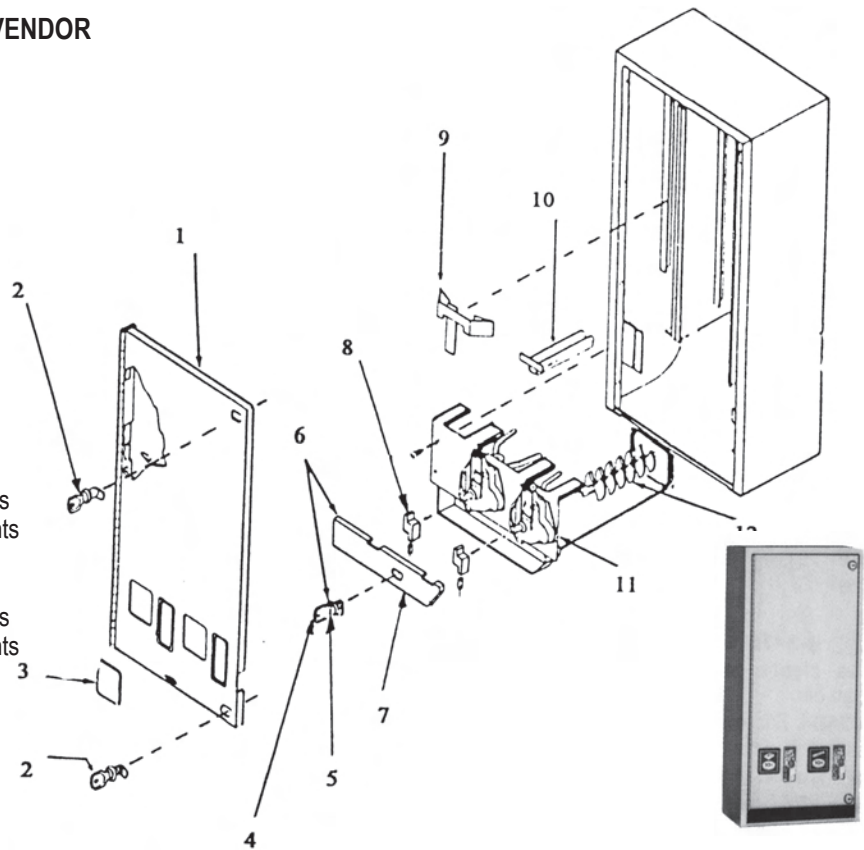
REPLACEMENT SOAP VALVES

ITEM	PART #	DESCRIPTION
A	80193002	Liquid soap valve, Fits Bobrick, Bradley, Continental, AJ Washroom Accessories
B	40500017	Bobrick liquid soap valve, Female inlet 3/8" IPS, 3-1/8" long
C	80041093	American Specialties liquid soap valve, Female inlet 3/8" IPS, 3-1/2" long
D	40500018	Universal replacement liquid soap valve
E	80103006	Bobrick All-Purpose valve, chrome plated
F	80102905	Collar nut

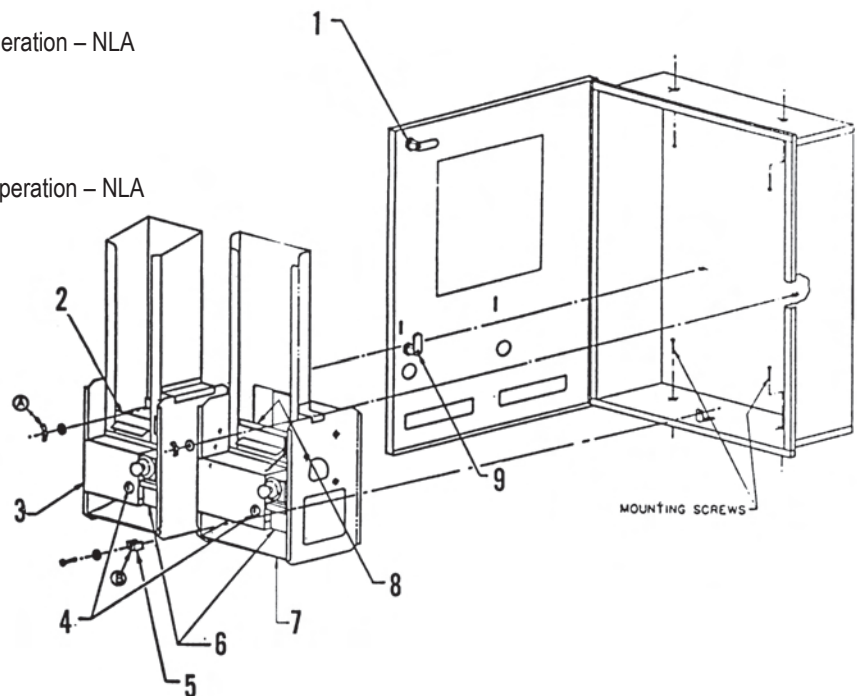
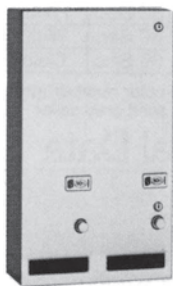


BATHROOM ACCESSORIES**BOBRICK B-282, B-352 NAPKIN-TAMPON VENDOR**

ITEM	PART #	DESCRIPTION
1	NLA	Complete door assembly
2	80104801	Lock & Key for door
	80104604	Key for door
3	NLA	Coin plate 5 cents
	NLA	Coin plate 10 cents
	80102110	Coin plate 25 cents
	80102106	Coin plate free
4	40500095	Key for coin box
5	40500096	Lock & key for coin box
6	40500097	Coin box cover w/ lock & key
7	40500098	Coin box cover
8	40500099	Handle w/ set screw
9	40500100	Napkin weight
10	40500101	Tampon weight
11	40500102	Napkin mechanism – 10 cents
	40500103	Tampon mechanism – 10 cents
	80105253	Napkin mechanism – Free
	80105256	Tampon mechanism – Free
	40500105	Napkin mechanism – 25 cents
	40500106	Tampon mechanism – 25 cents
12	80104805	Tampon rotor

**BOBRICK MODELS B-2802, B-3502, B3503 & B-35034 (MANUFACTURED AFTER JANUARY 1976)**

ITEM	PART #	DESCRIPTION
1	80104803	Upper door lock & key
2	80103467	Napkin weight
3		Napkin magazine for coin operation – NLA
4	40500110	Coin box lock & key
	40500095	Key for coin box
5	NLA	“U” bracket
6	80103449	Coin box
7		Tampon magazine for coin operation – NLA
8	40500113	Tampon weight
9	40500114	Lower lock & key
	40500092	Door key



**TOTAL
MAINTENANCE
SOLUTIONS**

HOUSTON
800/392-5066

ORLANDO
800/327-3022

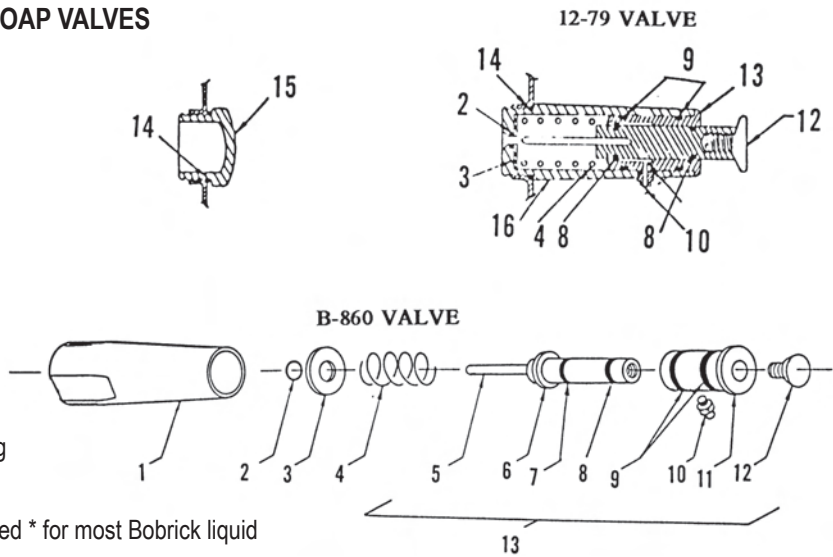
GREENVILLE
800/476-2212

LOOK FOR US ON THE WEB AT: www.TMSSouth.com

BATHROOM ACCESSORIES

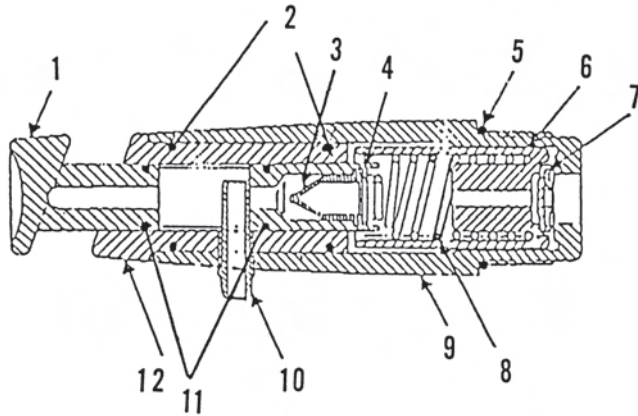
PARTS FOR BOBRICK B-860 & 12-79 LIQUID SOAP VALVES

ITEM	PART #	DESCRIPTION
1	80106028	Cylinder
2	40950126*	O-ring
3	80103110	Retainer
4	80103108	Spring
5	NLA	Piston & needle valve
6	80106021*	Retainer ring
7	40950019*	O-ring
8	40950019*	O-ring
9	40950023*	O-ring
10	40500158*	Spout
11	80106006	Guide
12		Push button
13	80106050	Piston & guide assembly
14	40950027	O-ring
15	80102902	Polycarbonate window with O-ring
16	80102905	Cylinder - no longer available
	80102905	Collar nut (for 12-79 valve)
	80103102	Repair kit-contains all items marked * for most Bobrick liquid



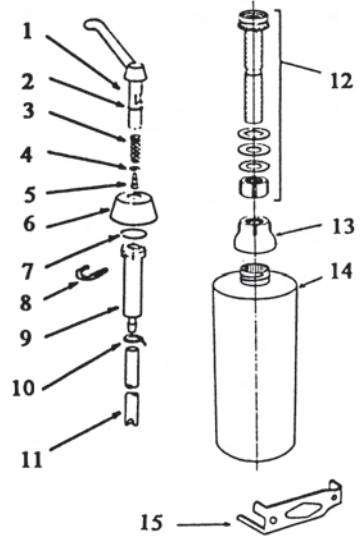
PARTS FOR BOBRICK 2111-79 LIQUID SOAP VALVES

ITEM	PART #	DESCRIPTION
1	80101138	Piston assembly
2	NLA	O-ring for guide
3	NLA	Duckbill
4	80101121	Washer (clear)
5	40950027	O-ring
6	NLA	Spring housing
7	NLA	Capsule valve
8	NLA	Spring
9	NLA	Cylinder
10	NLA	Spout
11	NLA	O-ring for piston
12	NLA	Guide assembly
1-12	40500017	Complete valve



PARTS FOR BOBRICK B-822 LIQUID DISPENSER

ITEM	PART #	DESCRIPTION
1	80102223	Piston and spout
2	80001075	O-ring
3	80102283	Spring
4	80102217	Retainer ring
5	80101998	Duck bill valve
6	80102265	Cover
7	80102264	O-ring
8	80102215	Guide key
9	80102212	Cylinder
10	80102462	Cable tie
11	80102110	Supply tube
12	80100208	Universal mount, O/S
13	80109908	Bottle cap
14	80102909	Bottle
15	80100822	Bob key



**TOTAL
MAINTENANCE
SOLUTIONS**

HOUSTON
800/392-5066

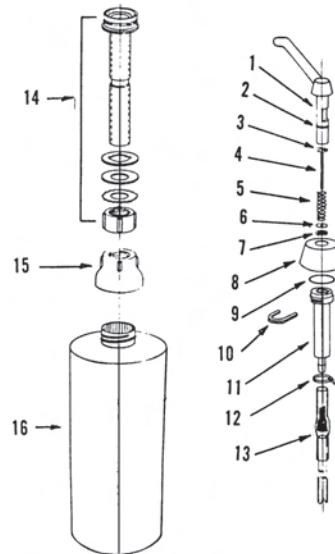
ORLANDO
800/327-3022

GREENVILLE
800/476-2212

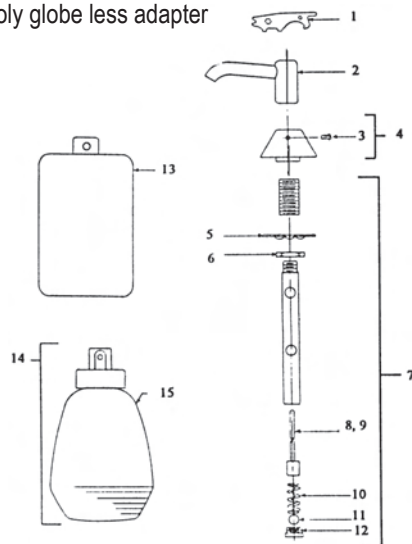
LOOK FOR US ON THE WEB AT: www.TMSSouth.com

BATHROOM ACCESSORIES**PARTS FOR BOBRICK B-823 LATHER DISPENSER**

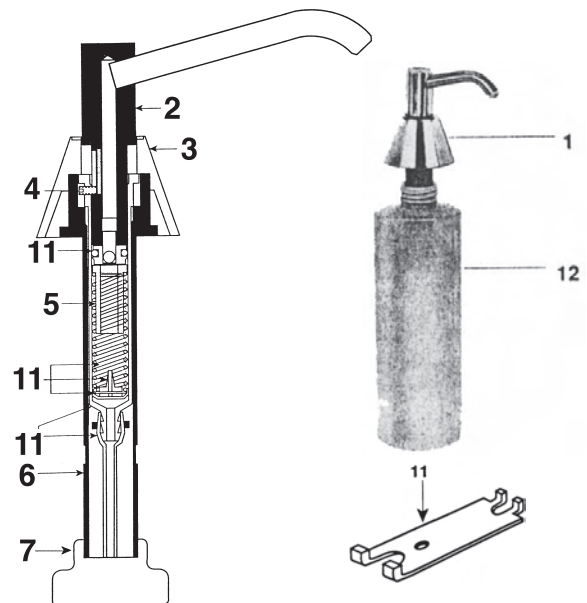
ITEM	PART #	DESCRIPTION
1	80102323	Piston and spout assembly - 4"
2	80102238	O-ring
3	80102332	Disk
4	80102331	Shaft
5	80102383	Spring
6	80102217	Retaining ring
7	80102333	Valve disk
8	80102265	Cover
9	80102264	Washer
10	80102215	Guide key
11	80102212	Cylinder
12	80102462	Cable tie
13	80102350	Supply tube
14	80102102	Universal mounting
15	80109908	Bottle cap
16	80102909	Bottle

**PARTS FOR BOBRICK DISPENSER (B-829,82923,8295)**

ITEM	PART #	DESCRIPTION
1	80104602	Bob key
2	80102948	Plunger with 2-1/2" spout
	80102941	Plunger with 4" spout
3	80108296	Guide screw
4	80108297	Body with guide screw
5	80102943	Flat rosette washer
6	80109918	Lock nut
7	80102987	Complete lower mechanism
8	80102937	Soap piston and supply tube Model B-829 (short)
9	80102917	Soap piston and supply tube Model B-8295,8292,8294(long)
10	80108299	Spring
11	80100217	Ball check
12	80102928	Valve seat
13	80109130	Stainless steel soap container
14	80102908	Poly globe with adapter
15	80102910	Poly globe less adapter

**BRADLEY MODELS 6302, 6304, 6306
(MANUFACTURED 1986 OR AFTER)**

ITEM	PART #	DESCRIPTION
1	80089103	Plunger and Valve assembly, 2-1/2" spout
	80089104	Plunger and Valve assembly, 4" spout
	80089144	Plunger and Valve assembly, 6" spout
2	80089108	Spout assembly, 2-1/2"
	80089109	Spout assembly, 4"
	80089145	Spout assembly, 6"
3	80089110	Escutcheon
4	80089064	Set screw
5	80089147	Plunger spacer
6	40500282	Shank
7	80089117	Adapter
11	40500283	Repair kit
12	80089119	32 oz. plastic globe



**TOTAL
MAINTENANCE
SOLUTIONS**

HOUSTON
800/392-5066

ORLANDO
800/327-3022

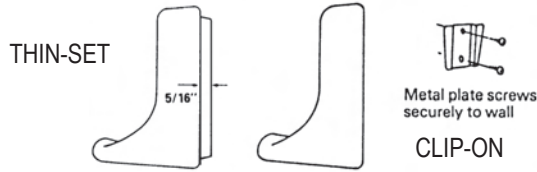
GREENVILLE
800/476-2212

LOOK FOR US ON THE WEB AT: www.TMSSouth.com

BATHROOM ACCESSORIES

CERAMIC ACCESSORIES

ALL ACCESSORIES SHOWN ARE IN WHITE UNLESS OTHERWISE NOTED. OTHER COLORS ARE AVAILABLE.



PART #	DESCRIPTION	Image
40500206	Thin-set paper holder, 6" Wx 4-1/4" H	

PART #	DESCRIPTION	Image
80501020	Clip-on paper holder, 6-1/4" W x 4-1/2" H	

PART #	DESCRIPTION	Image
80502030	Thin-set tub soap holder, 6" Wx 4-1/4" H	
80502032	Thin-set tub soap holder w/bar, 6" Wx 4-1/4" H	

PART #	DESCRIPTION	Image
80501622	Clip-on toothbrush holder, 2-1/4" Wx 2-5/8" H	

PART #	DESCRIPTION	Image
80501621	Clip-on soap dish, 2-1/4" Wx 2-5/8" H	

PART #	DESCRIPTION	Image
40500207	Thin-set soap holder, 4-1/4" x 4-1/4", white	

PART #	DESCRIPTION	Image
80501060	Thin-set towel bar brackets, 2" x 4", without bar	
80501625	Clip-on towel brackets, 2" Wx 2-1/2" H w/24" bar	

PART #	DESCRIPTION	Image
40500209	Thin-set tumbler-toothbrush holder, 4-1/4" x 4-1/4"	

PART #	DESCRIPTION	Image
80501626	Clip-on towel ring, 2-1/4" Wx 2-1/2" H	

PART #	DESCRIPTION	Image
80501624	Clip-on paper holder, 2" Wx 2-1/2" H	

PART #	DESCRIPTION	Image
80501628	Clip-on robe hook, 2" Wx 2" H	

BATHROOM ACCESSORIES

HOTEL/MOTEL ACCESSORIES

ROBE HOOKS

ITEM	PART #	DESCRIPTION
1	80311604	Single robe hook-exposed mounting
2	40500211	Single robe hook-concealed mounting
3	40500220	Double robe hook-concealed mounting
	80311601	Double robe hook-con. mtng. - polished brass
4	40500212	Double robe hook w/ 4" S/S bar



TOWEL HOLDERS

PART #	DESCRIPTION
40500213	2 Guest towel unit
40500214	3 Guest towel unit
40500215	4 Guest towel unit



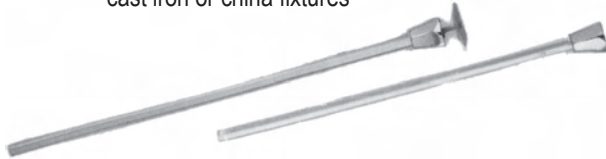
RETRACTABLE CLOTHESLINE

PART #	DESCRIPTION
40500151	Retractable clothesline, CP brass with 6 feet of nylon cord



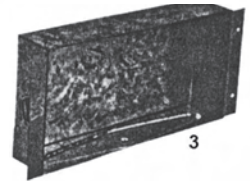
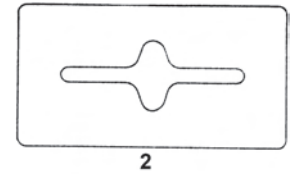
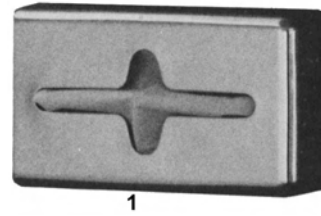
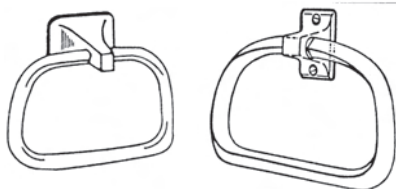
VANITY & LAVATORY LEGS

PART #	DESCRIPTION
80312602	28" Vanity leg, less cover flange
80312603	28" Vanity leg, less with 2" cover flange
40500127	3/4"x 28" Lavatory legs (pr) w/ escutcheon for cast iron or china fixtures



TOWEL RINGS

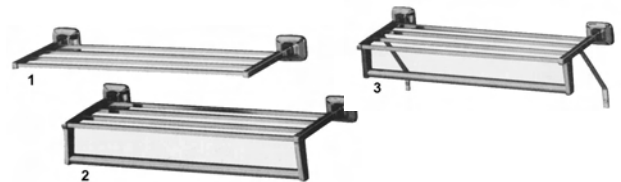
PART #	DESCRIPTION
80311402	Towel ring, plated plastic ring, concealed mount
80311403	Towel ring, clear plastic ring, concealed mount
80312117	Towel ring, clear plastic ring, exposed mount



TISSUE CABINETS

ITEM	PART #	DESCRIPTION
1	40500216	Surface mounted tissue cabinet
2	40500217	Snap-on tissue cover-chrome plated *
	40500218	Snap-on tissue cover-beige plastic *
	80443508	Snap-on tissue cover-white plastic *
3	80313504	Recess box with screws

*Tissue covers are for boxes that require 11-5/8" x 6-1/4" covers



TOWEL SHELVES

ITEM	PART #	DESCRIPTION
1	40500219	18" Towel shelf
	40500230	24" Towel shelf
2	40500231	18" Towel shelf with bar
	40500233	24" Towel shelf with bar
3	3840752	24" Towel shelf with bar & bracket.

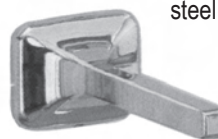
BOTTLE OPENERS

PART #	DESCRIPTION
40500234	Bottle opener
40500235	Bottle opener with cap catch



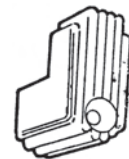
SHELF BRACKET

PART #	DESCRIPTION
80314402	Shelf bracket (pair) for 5" shelves, stainless steel or glass.



MIRROR CLIP

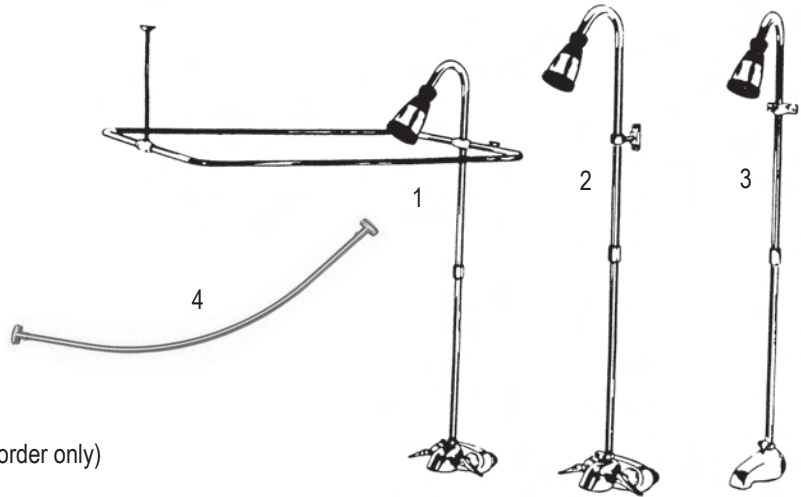
PART # 82009904



BATHROOM ACCESSORIES

ADD-ON SHOWERS

ITEM	PART #	DESCRIPTION
1	40500236	Add-On shower w/ CP Brass Frame
	40500093	Economy Add-On Shower – same as 80162010 but w/aluminum frame
2	80162012	Add-On Shower less frame
3	40500096	Add-On Shower with diverter spout less faucet
	80162016	Add-On Shower with code spout
	40100225	Faucet for 80162012
	40520073	Tub spout for 80165006

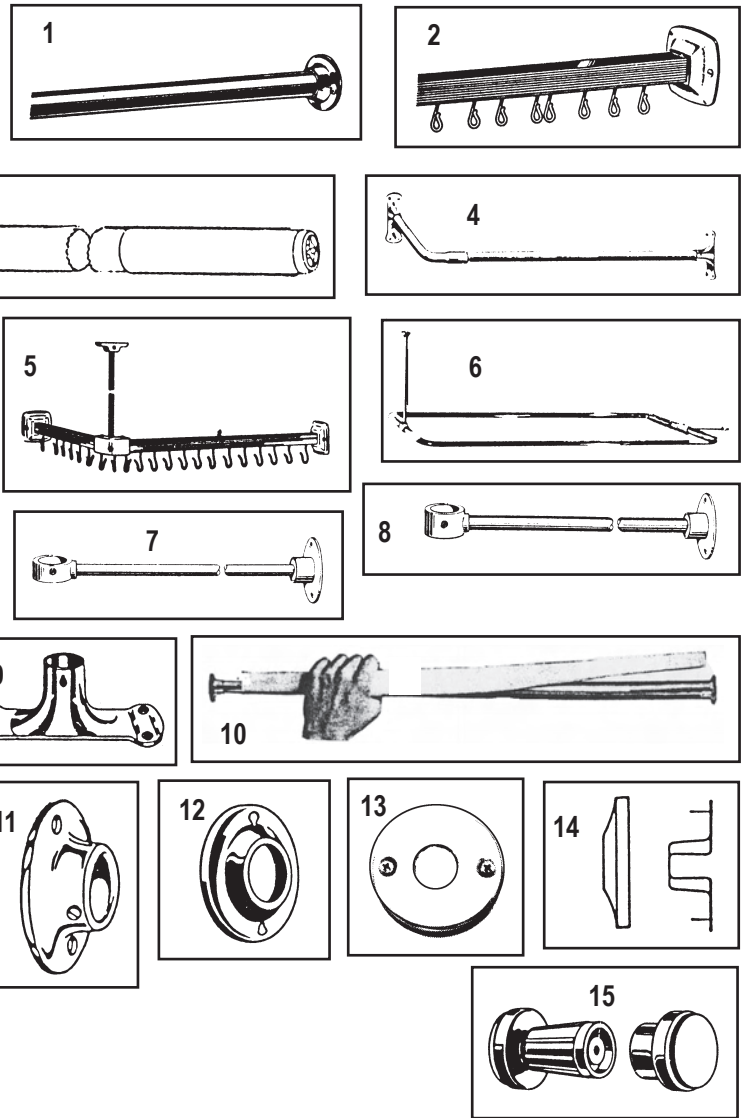


CONTOURED SHOWER RODS

4	80160190	Chrome contoured shower rod
	80160193	Satin nickel contoured shower rod
	80160191	White contoured shower rod (special order only)

SHOWER RODS & ACCESSORIES

ITEM	PART #	DESCRIPTION
1	40500149	5 Ft. Aluminum shower rod
	80311765	5 Ft. 1" Stainless Steel shower rod
	40500237	6 Ft. Aluminum shower rod
2	40500238	5 Ft. Track shower rod w/ flange & hooks
3	80071802	5 Ft. Alum. Adjustable shower rod no flange required
4	80161802	5 Ft. Corner shower rod
	80161806	5 Ft. Economy corner shower rod
	80161804	5-1/2 Ft. Corner shower rod
5	80161808	5-1/2 Ft. Corner track type shower rod
6	40500309	Shower frame (24" x 42")
	80161811	Economy shower frame (27"x42")
7	80161812	Ceiling support 3/8" x 36" CP Brass for shower frame
8	80161814	Riser support for 5/8" OD tubing – 12" long
9	40500241	Corner shower frame flange pair
10	80001910	White shower rod cover
	80001912	Brown shower rod cover
	80001914	Blue shower rod cover
	80001916	Yellow shower rod cover
11	80311810	Cast CP Zamak flng pr 1-1/4" rod with set screw
	40500242	Cast CP Zamak flng pr 1" rod with set screw
12	80731914	Shower flange pair 1" rod with set screw
13	80311812	Polished S/S flng pr 1-1/4" rod
	80311808	Polished S/S flng pair 3" dia for 1" rod
14	40500243	Concealed flange pair – 1" rod
15	40500150	Expan-Tite CP shower rod holder
	80731912	Rod pad for Expan-Tite holder
	80160190	Chrome "contour" rod (not shown)



**TOTAL
MAINTENANCE
SOLUTIONS**

HOUSTON
800/392-5066

ORLANDO
800/327-3022

GREENVILLE
800/476-2212

LOOK FOR US ON THE WEB AT: www.TMSSouth.com

BATHROOM ACCESSORIES

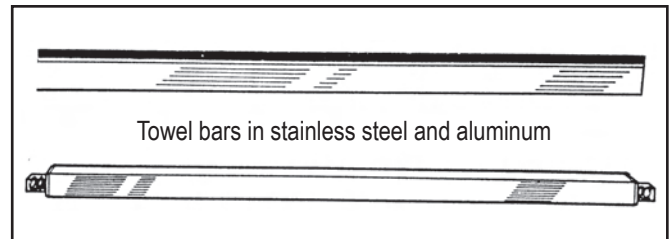
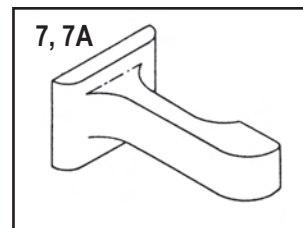
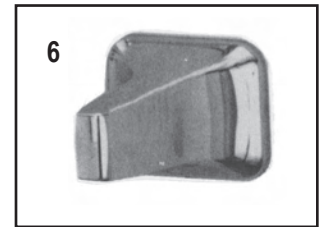
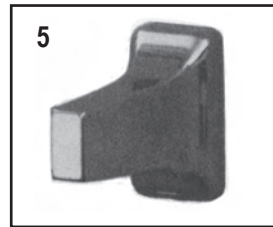
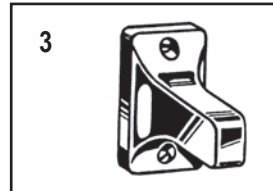
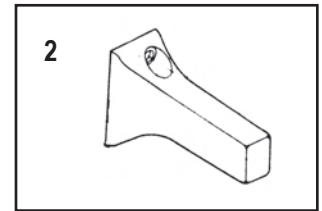
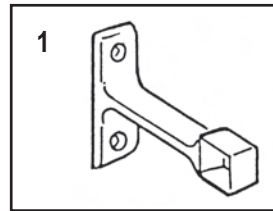
TOWEL POSTS

ITEM	PART #	DESCRIPTION
1	40500147	5/8" Towel bar post-Thrift-exposed screw mounting
2	80000220	5/8" Towel bar post-exposed screw mounting
3	40500245	5/8" Towel bar post- Budgeteer-exposed screw mounting
4	80310410	5/8" Towel bar post-Suburbia-exposed screw mounting
5	80310409	3/4" Towel bar post- Caprice-concealed mounting
6	40500084	3/4" Towel bar post- Futura- concealed mounting
	80310405	Same as 80310404 in Antique Brass
	80310407	Same as 80310404 in Polished Brass
7	80000424	3/4" Towel bar post-concealed mounting
7A	40500133	Toilet tissue holder

TOWEL BARS

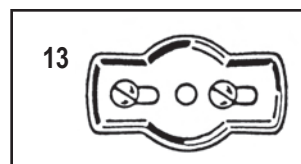
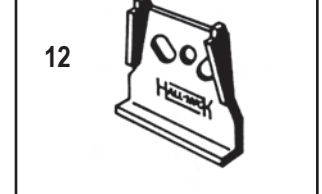
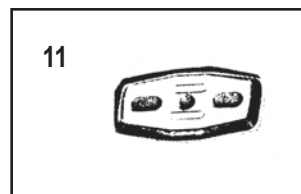
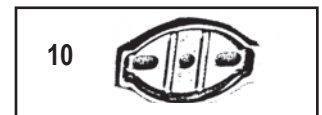
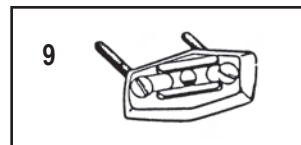
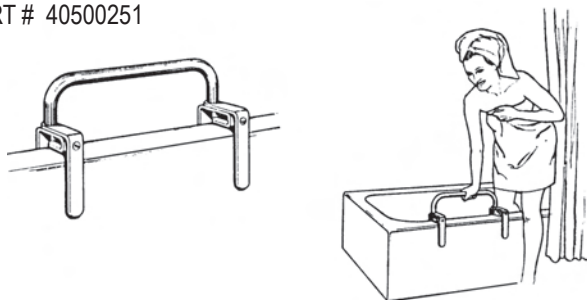
ITEM	PART #	DESCRIPTION
8	40500107	5/8" x 24" Clear replacement towel bar
	80310616	5/8" x 24" White replacement towel bar
9	40500247	Wall plate w/ screws for Franklin Brass 1200, 1300 & 1400 series
	40500248	Set screw for 1400 series
	80319908	Set screw for 1200 & 1300 series
10	80269930	Wall plate – Donner- w/ mounting screws less set screw
	80319931	Set screw
11	80269932	Wall plate- Donner – w/ mounting screws and set screw
12	80501002	Hall-Mark wall plate w/ mounting screws and set screw
	80501004	Set screw for Hall-Mark
13	80505002	Miami-Carey wall plate w/ mounting screws
	80505004	Set screw for Miami-Carey
	80319115	Mounting bracket (1)- Taymor
14	80501115	Wall plate with mounting screws – fits most imports w/ concealed mounting
	80501116	Set screw for above

SIZE	POLISHED STAINLESS	POLISHED ALUMINUM	POL. BRASS ALUMINUM	ANT. BRASS ALUMINUM
5/8" x 18"	80310602	40500249		
5/8" x 24"	80310604	40500157		
5/8" x 30"	80310606	80000606		
3/4" x 18"	40500148	40500250	80508418	80509418
3/4" x 24"	40500126	40500156	80508424	80509424
3/4" x 30"	80310612	80000612	80310615	80310617
3/4" x 36"	80310613			



TUB SAFETY BAR

Safe support for getting in or out of bathtub...helps prevent accidental falls. Adjustable to fit most tubs. Comes with tub protection pads. Constructed of 1" non-corrosive anodized aluminum non-slip safety bar with 1/4" x 1/4" anodized aluminum extruded brackets. PART # 40500251



TOTAL MAINTENANCE SOLUTIONS

HOUSTON
800/392-5066

ORLANDO
800/327-3022

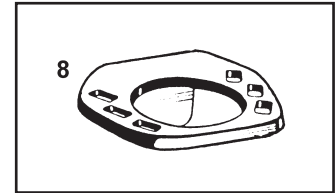
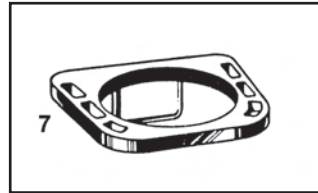
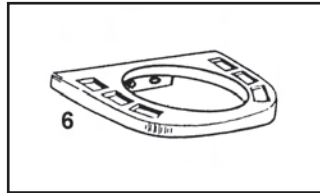
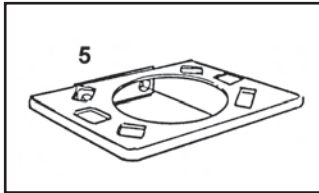
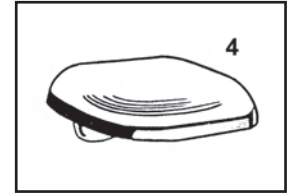
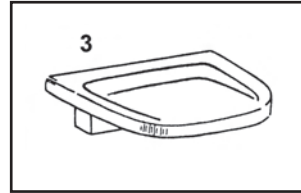
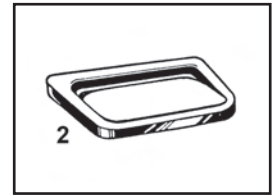
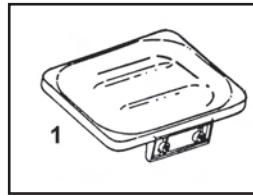
GREENVILLE
800/476-2212

LOOK FOR US ON THE WEB AT: www.TMSSouth.com

BATHROOM ACCESSORIES

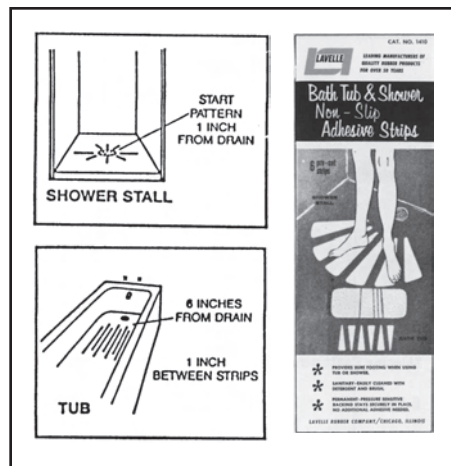
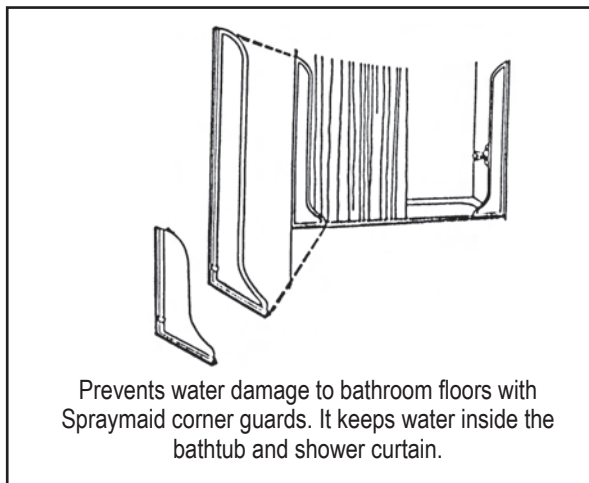
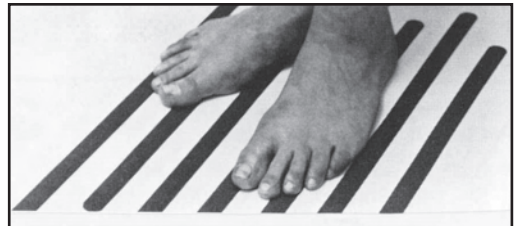
SOAP DISHES, BRUSH & TUMBLER HOLDERS

ITEM	PART #	DESCRIPTION
1	80311006	Soap dish, Thrift – exposed mounting
2	40500252	Soap dish, Budgeteer – exposed mounting
3	80311002	Soap dish, Caprice – concealed mounting
4	40500253	Soap dish, Futura – concealed mounting
	80311005	Soap dish, Futura – concealed mounting-Pol. Brass
5	40500154	Brush & Tumbler holder – Thrift- exposed mounting
6	40500254	Brush & Tumbler holder – Budgeteer – exposed mounting
7	80311202	Brush & Tumbler holder – Caprice – concealed mounting
8	40500155	Brush & Tumbler holder – Futura – concealed mounting
	80311205	Brush & Tumbler holder – Futura – concealed mounting, polished brass



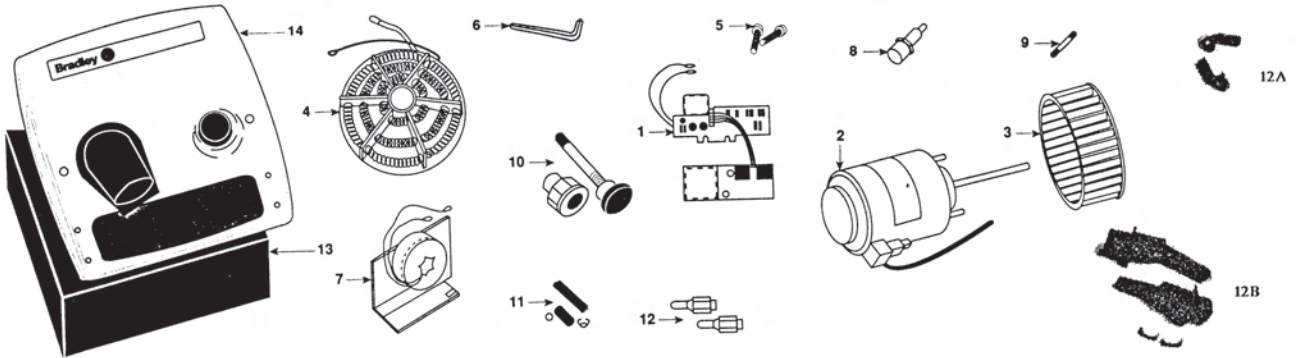
SHOWER CURTAINS & ACCESSORIES

ITEM	PART #	DESCRIPTION
1	40500256	Clear vinyl shower curtain hook
	40500257	White vinyl shower curtain hook
2	40500258	Shower curtain hook
	40500145	Stainless steel shower curtain hook
3	80261000	30" (36") x 76" white duck cloth shower curtain (7 hooks)
	80261010	42" (48") x 76" white duck cloth shower curtain (9 hooks)
	80089534	30" (36") x 72" Anti-bacterial 10 oz. nylon reinforced vinyl stain-resistant & self deodorizing-Green color (7 hooks)
	80089535	42"(48") x 72" Same as above with 9 hooks
	80102400	42" (48") x 72" White vinyl (.008" thick) shower curtain (7 hooks)
4	80581002	Non-Slip adhesive strips 11-3/4" (6 pack)
5	40500259	Small Spraymaid
	40500260	Large Spraymaid
6	40500261	Safety-Walk adhesive strips 3/4" x 17" (50 pack) white
	40500262	Safety-Walk adhesive strips 3/4" x 17" (50 pack) clear



BATHROOM ACCESSORIES

REPLACEMENT PARTS FOR WORLD DRYER & AIRSTYLE DRYER



ITEM	PART #	DESCRIPTION
1*	80903002	ICS circuit board – 120V
	80903004	ICS circuit board – 230V
2	80901010	Motor – 115 volt
	80901012	Motor – 208/230 volt
3	80901020	Blower wheel – 3" diameter
4	80901030	Heating element – 115V – 20 amp
	80901032	Heating element – 208/230V – 20 amp
5	80901040	Tamper proof screw – surface cover
	80901042	Tamper proof screw – recessed cover
6	80901044	Wrench
7	80901050	Switch/Timer – 115V – 30 sec – 60Hz
	80901052	Switch/Timer – 208/230V – 30 sec – 60Hz
	80901054	Switch/Timer – 115V – 40 sec – 60Hz
	80901056	Switch/Timer – 115V – 80 sec – 60Hz
	80901058	Switch/Timer – 208/230V – 80 sec – 60Hz

ITEM	PART #	DESCRIPTION
8	80901060	Fuse holder
9	80901062	Fuse – 2 Amp Glass
10	80901070	Pushbutton assembly kit (complete button/bearing assy.)
11	80901072	Spring & retaining clips
12	80901080	Brushes – GE w/ white cartridge
	80901082	Motor brush clamps (GE w/ cartridge)
12A	80901086	Brushes – GE, World w/ caps
12B	80901088	Brushes – World w/ cartridge
13	80901090	Wall box – recessed units
14		Cover – specify model number

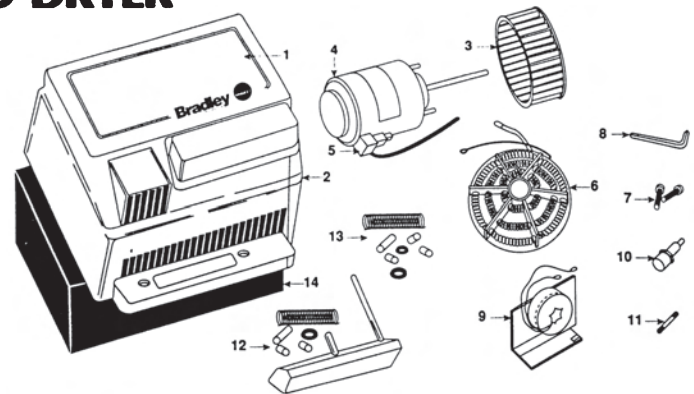
*For No-Touch units only



REPLACEMENT PARTS FOR AIRSPEED DRYERS

ITEM	PART #	DESCRIPTION
1		Insert panel – specify finish/color/decoration
2	80902004	Cover assembly – satin chrome
	80902006	Cover assembly – white finish
3	80902010	Blower wheel – 4-3/4" diameter
4	80902020	Motor kit 120V – 60Hz
	80902022	Motor kit 208/240V – 60Hz
5	80902024	Capacitor 120V
6	80902026	Capacitor 208/240V
	80902030	Heating element – 120V
	80902032	Heating element – 208V
	80902034	Heating element – 240V
7	80901040	Tamper proof cover screw
8	80901044	Wrench
9	80901050	Switch/Timer- 120V- 30 sec- 60Hz
	80901052	Switch/Timer- 208/240V- 30 sec- 60Hz
	80901054	Switch/Timer- 115V- 40 sec- 60Hz
	80901056	Switch/Timer- 115V- 80 sec- 60Hz
	80901058	Switch/Timer- 208/240V- 80 sec- 60Hz
10	80901060	Fuse holder
11	80901062	Fuse – 2 Amp

WORLD DRYER



12	80902050	Pushbutton assembly
13	80902052	Spring & Bumper kit
14	80902060	Wall box – recessed units

PARTS SHOWN ARE FOR DRYERS MANUFACTURED BY WORLD DRYER AND DISTRIBUTED UNDER THE WORLD DRYER NAME AS WELL AS BRADLEY, BOBRICK AND OTHER ACCESSORY MANUFACTURERS.



TOTAL MAINTENANCE SOLUTIONS

HOUSTON
800/392-5066

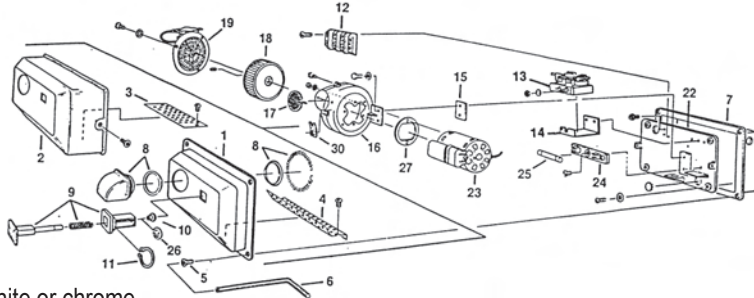
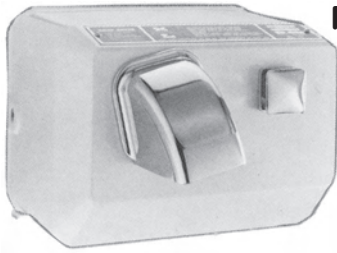
ORLANDO
800/327-3022

GREENVILLE
800/476-2212

LOOK FOR US ON THE WEB AT: www.TMSSouth.com

BATHROOM ACCESSORIES

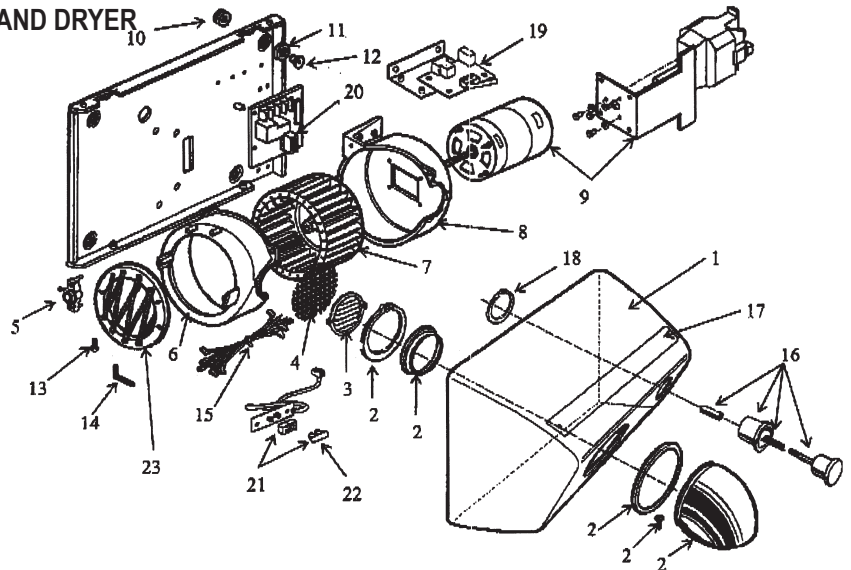
REPLACEMENT PARTS FOR EXCELL DRYERS



ITEM	PART #	DESCRIPTION	ITEM	PART #	DESCRIPTION
1		Recessed cover assembly - white or chrome	16	80152024	Blower housing
2		Surface mounted cover assy. - white or chrome	17	80152026	Blower screen
3	80151006	Inlet screen - surface mounted	18	80152028	Blower wheel
4	80151008	Inlet screen - recessed	19	80152030	Heating element 110/120V
5	80151010	Tamper proof bolts (pr)		80152032	Heating element 208/230V
6	80151012	Wrench	21	80152040	Circuit breaker
7	80151014	Wall box	22		Wall plate
8	80151016	Nozzle (w/spring & washers)	23	80152044	Motor 110/120V
9	80151018	Pushbutton assembly - includes 10, 11, 26		80152046	Motor 208/230V
10	80151020	Pushbutton tip	24	80152048	Fuse holder
11	80151022	Pushbutton snap ring	25	80152050	Fuse 1.8 AMP 110/120V
12	80151024	Terminal block		80152052	Fuse .75 AMP 208/230V
13	80152004	Timer 110/120V - 3 min	26	80152060	Push-button E-ring
	80152006	Timer 208/230V - 3 min	27	80152062	Motor gasket
	80152008	Timer 110/120V - 3 min	28	80152064	Ceramic button
	80152010	Timer 208/230V - 3 min	30	80152066	Nozzle fixer
14	80152020	Timer bracket			
15	80152022	Blower housing mounting pad			

NOVA 5 AUTOMATIC/PUSHBUTTON MODEL HAND DRYER

ITEM	PART #	DESCRIPTION
1		Wall box (not shown) Complete cover assembly, pushbutton, white Complete cover assembly, automatic, white
2		Nozzle (5 pieces)
3		Grill, outlet
4		Mesh, outlet
5	80655215	Thermostat
6		Fan housing, left hand
7		Fan, blower
8		Fan housing, right hand
9		Motor, induction, 120V 50/60 Hz Motor, induction, 208V, 240 V 50/60Hz Motor, brush type, kit
10		Grommet, rubber
11		Washer, flat, 3/8" ID x 7/8"
12		Shoulder bushing
13		Screw, tamperproof
14	80655034	Security hex driver
15		Wiring harness
16	80655005	Pushbutton assembly
17		Nameplate
18		Circlip, pushbutton
19		Microswitch adjustable timer, 120V-240V
20		Circuit board, IR, 120V-240V - Automatic only
21	80655149	Sensor assembly (new one eye) - Automatic only Sensor assembly (2 red eyes - old type) - Automatic only



ITEM	PART #	DESCRIPTION
22		Lens, assembly - Automatic only
23	80655017	Element, 1700W, 120V - Heating Element
		Element, 1700W, 208V - Heating Element
		Element, 1700W, 240V - Heating Element
	80655049	Element, 2000W, 120V PLUS - Heating Element
		Element, 2000W, 208V PLUS - Heating Element
		Element, 2000W, 240V PLUS - Heating Element



**TOTAL
MAINTENANCE
SOLUTIONS**

HOUSTON
800/392-5066

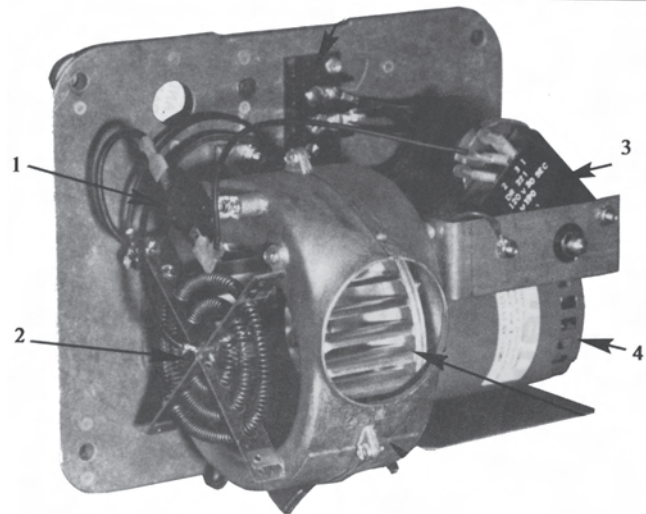
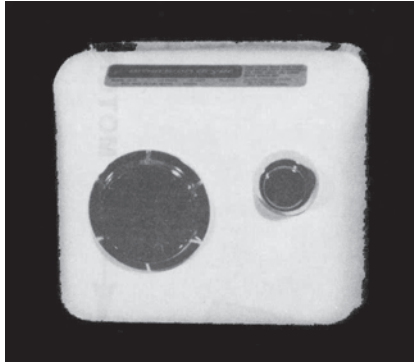
ORLANDO
800/327-3022

GREENVILLE
800/476-2212

LOOK FOR US ON THE WEB AT: www.TMSSouth.com



REPLACEMENT PARTS FOR DR SERIES DRYERS



ITEM	PART#	DESCRIPTION
1	80031004	Thermostat (circuit breaker)
2	80031008	Heating element model DR10
	80031010	Heating element model DR20
	80031012	Heating element model DR35
3	80032010	Timer, 115V-30 sec (DR20)
	80032012	Timer, 230V-40 sec (DR10)
	80032014	Timer, 230V-80 sec (DR10H,20H)
	80032016	Timer, 230V-30 sec (DR35)
	80032018	Timer, 230V-80 sec (DR35H)
4	80032030	Motto, 115V (DR10, DR20)
	80032032	Motor, 208/230V (DR35)

- * 80032040 Security screws & special wrench
- * 80032050 Special wrench
- * - not shown

Please note: Sensors (TOUCHLESS DRYERS) are available



REPLACEMENT PARTS FOR CF SERIES DRYERS (OBSOLETE 1982)

PART #	DESCRIPTION
80036002	Timer, 115V - 30 sec
80036004	Timer, 230V - 80 sec
80036006	Timer, 115V - 40 sec
80036008	Timer, 115V - 80 sec
80036010	Timer, 230V - 80 sec
80035020	Heating element - model CF-10
80035022	Heating element - model CF-20 & CF-20-8
80035024	Heating element - model CF-15
80035030	Circuit breaker
80035036	Motor - model CF-10 & CF-15
80035038	Motor - model CF-20
80035040	Motor - model CF-20-8
80035050	Lock with key

REPLACEMENT PARTS FOR AM SERIES DRYERS (OBSOLETE NOVEMBER 1988)

PART #	DESCRIPTION
80036002	Timer, 115V - 30 sec (AM20)
80036004	Timer, 230V - 30 sec (AM30,40,50)
80036006	Timer, 115V - 40 sec (AM10)
80036008	Timer, 115V - 80 sec (AM10H,20H)
80036010	Timer, 230V - 80 sec (AM30H,40H,50H)
80036020	Heating element 110V (AM10)
80036022	Heating element 110V (AM10)
80036024	Heating element 208/230V (AM30,40,50)
80036030	Circuit breaker
80036036	Motor 115V (AM10,AM20)
80036038	Motor 208/230V (AM30,40,50)
80036050	Security screws & special wrench
80036060	Special wrench



**TOTAL
MAINTENANCE
SOLUTIONS**

HOUSTON
800/392-5066

ORLANDO
800/327-3022

GREENVILLE
800/476-2212

LOOK FOR US ON THE WEB AT: www.TMSSouth.com

BATHROOM ACCESSORIES

RESTROOM SIGNS

BRAILLE/TACTILE SIGNS

PART #	DESCRIPTION
80691014	9" x 6" women's – brown
80691016	9" x 6" men's – brown
80691018	9" x 6" women's – blue
80691020	9" x 6" men's – blue



ADDITIONAL SIGNS ARE AVAILABLE

Call us with your requirements



SOAP SYSTEMS FROM TC™

TC SOAPWORKS™ MANUAL SOAP SYSTEM

Cost-effective – dispenses up to 1000 hand washes per 800 ml refill and 2000 hand washes per 1600 ml. Never drips or clogs. Easy to install. Promotes healthy handwashing.



PART # 40500332

TC ONESHOT® AUTOMATIC SOAP SYSTEM

Cost-effective. Controlled dosing reduces soap usage and waste. Easy to install.



PART # 40500333



SOAP REFILLS

Lotion hand soap with moisturizer and antibacterial refills also available. 800 ml or 1600 ml bottle

ODOR NEUTRALIZATION SYSTEMS FROM TC™

TC MICROBURST® 3000

Cost effective. Half the size of standard dispensers, 3000 sprays per refill. Easy to install. Microtrans® (odor neutralizer) breaks down and eliminates malodors.

PART # 40500129



TC MICROBURST® 9000

9000 sprays per refill, three times the amount of competition. 90 to 180 days of odor control per refill. Microtrans® (odor neutralizer) breaks down and eliminates malodors.

PART # 40500334



AIR CARE REFILLS

A variety of scents are available.



TOTAL MAINTENANCE SOLUTIONS

HOUSTON
800/392-5066

ORLANDO
800/327-3022

GREENVILLE
800/476-2212

LOOK FOR US ON THE WEB AT: www.TMSSouth.com